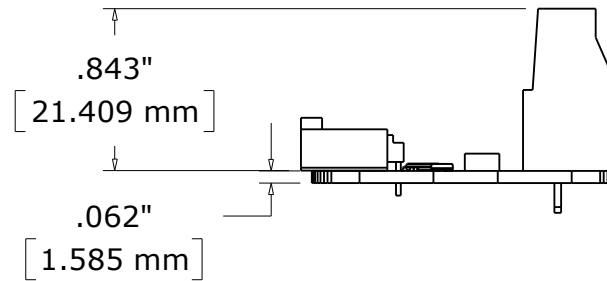
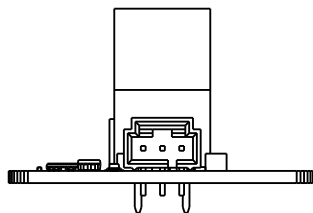
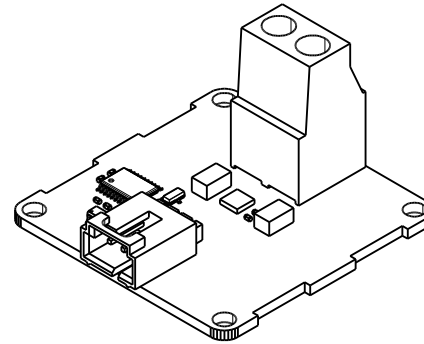
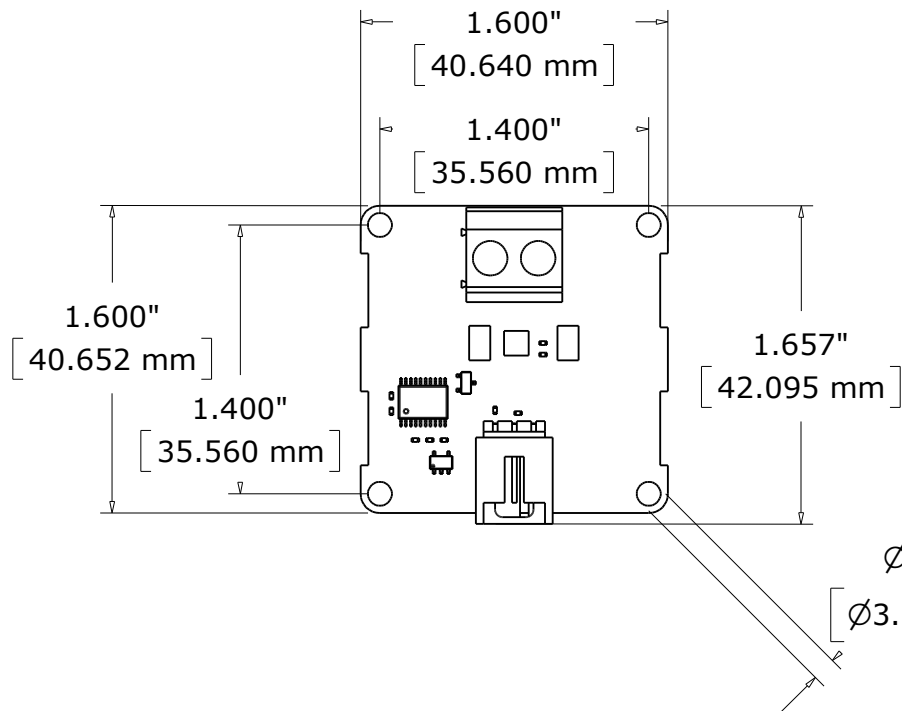


# VCP1100\_0 Mechanical Drawing



# VCP1100\_0 Enclosure Mechanical Drawing

