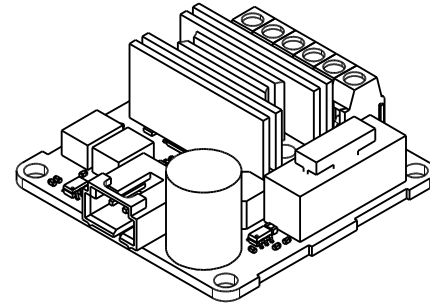
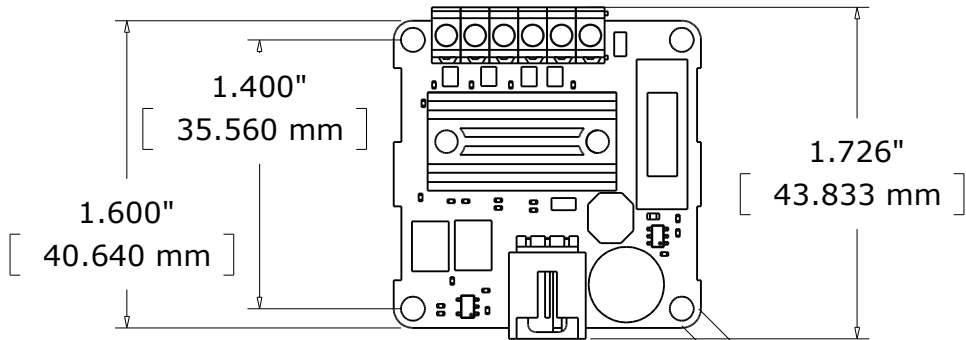
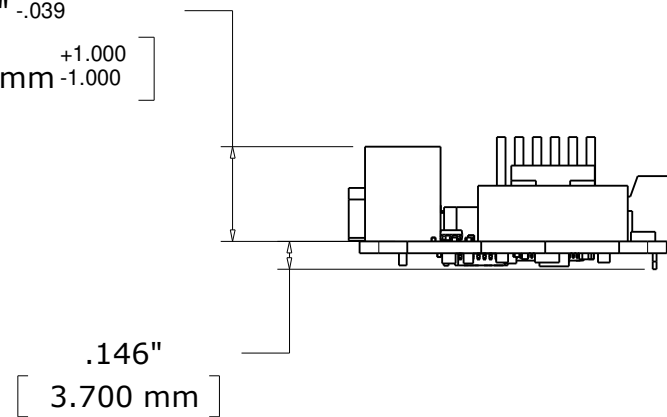
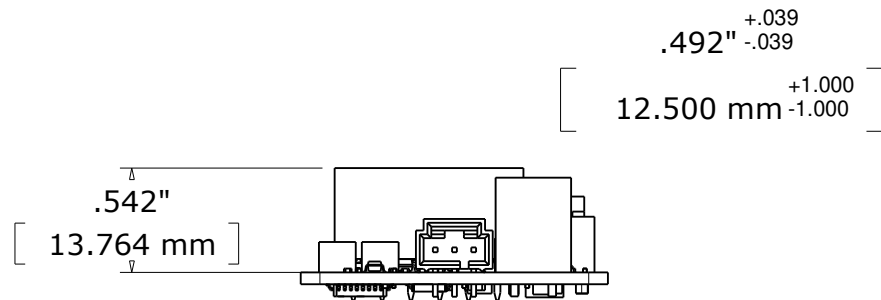


STC1003_0 Mechanical Drawing



$\varnothing.125"$
[$\varnothing 3.175$ mm]



STC1003_0 Enclosure Mechanical Drawing

