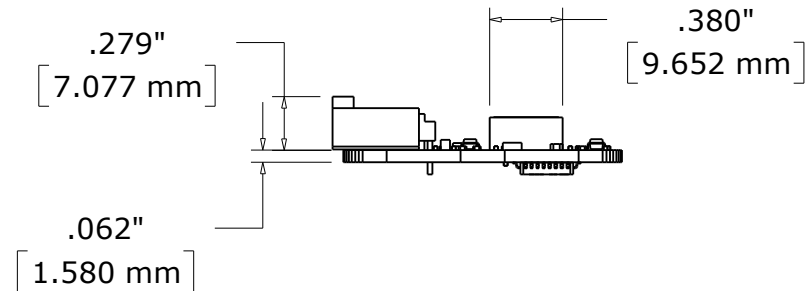
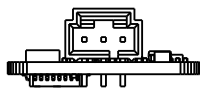
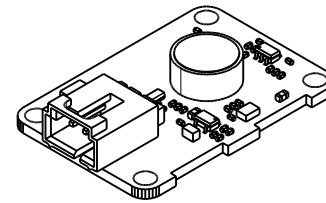
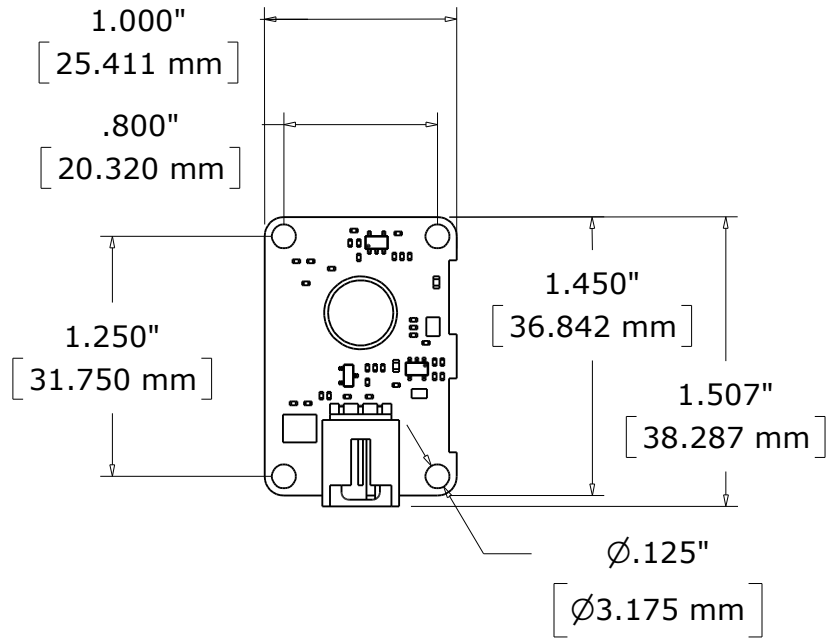


# SND1000\_0 Mechanical Drawing



# SND1000\_0 Enclosure Mechanical Drawing

