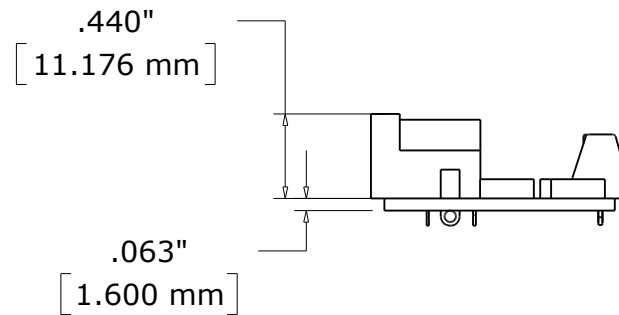
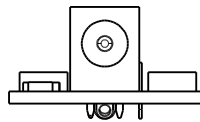
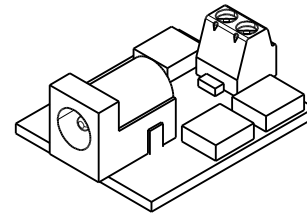
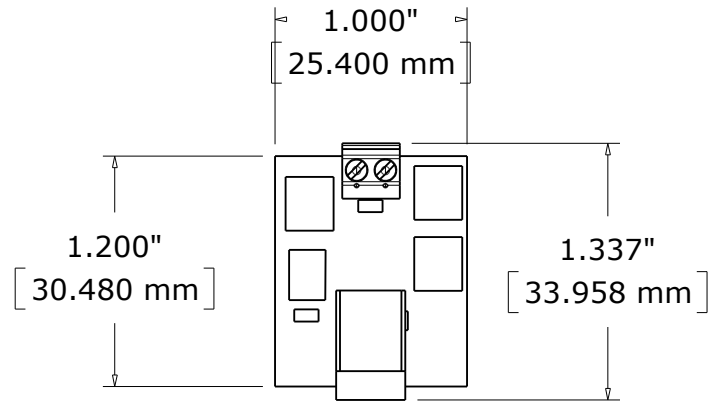


# SAF2000\_0 Mechanical Drawing



# SAF2000\_0 Enclosure Mechanical Drawing

