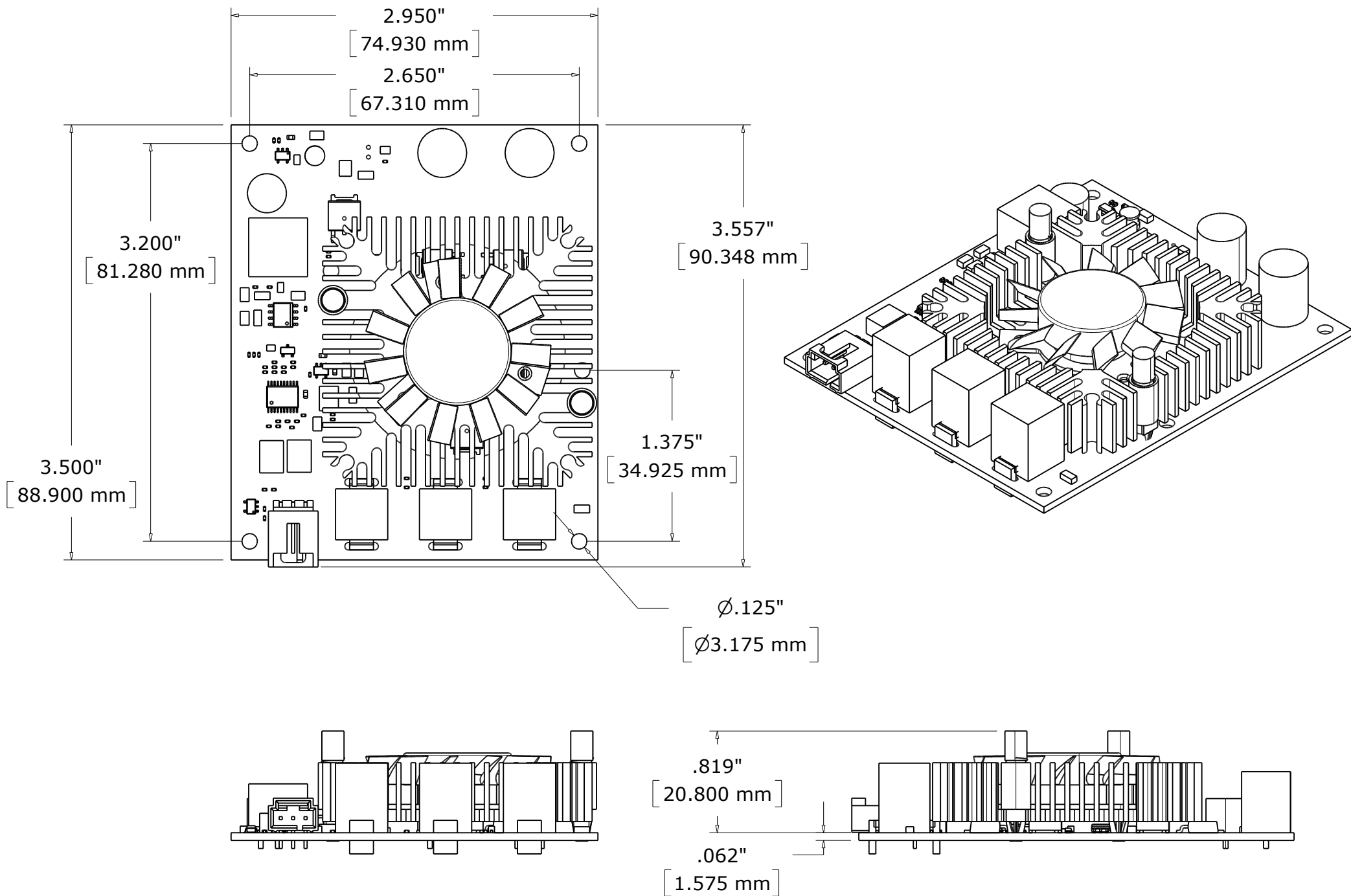


SAF1000_0 Mechanical Drawing



SAF1000_0 Enclosure Mechanical Drawing

