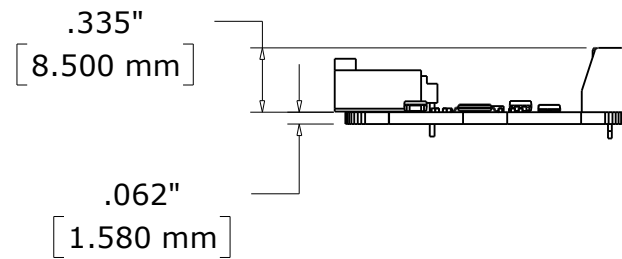
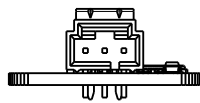
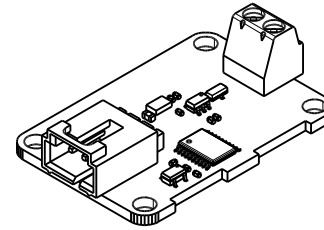
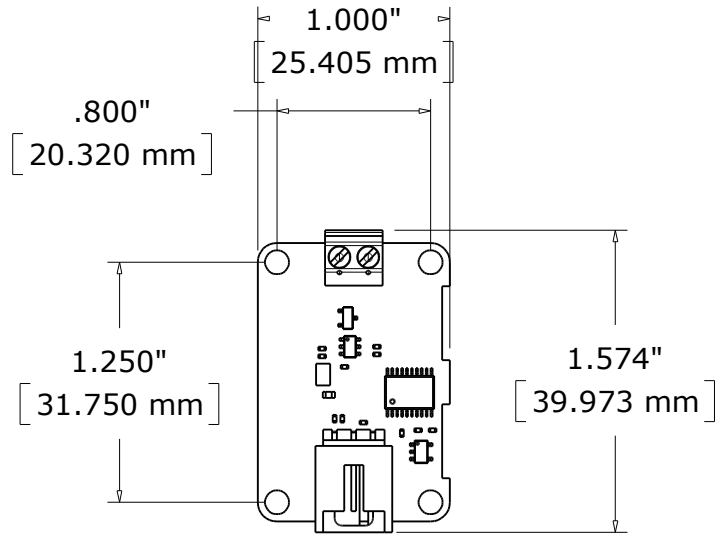


# OUT1000\_0 Mechanical Drawing



# OUT1000\_0 Enclosure Mechanical Drawing

