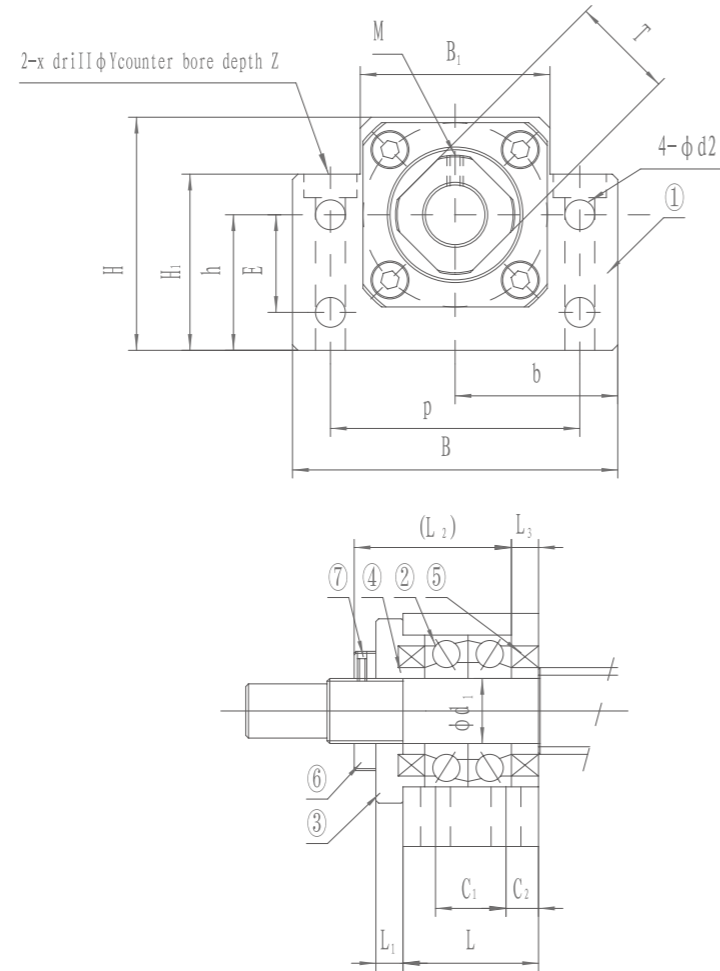


**BK**



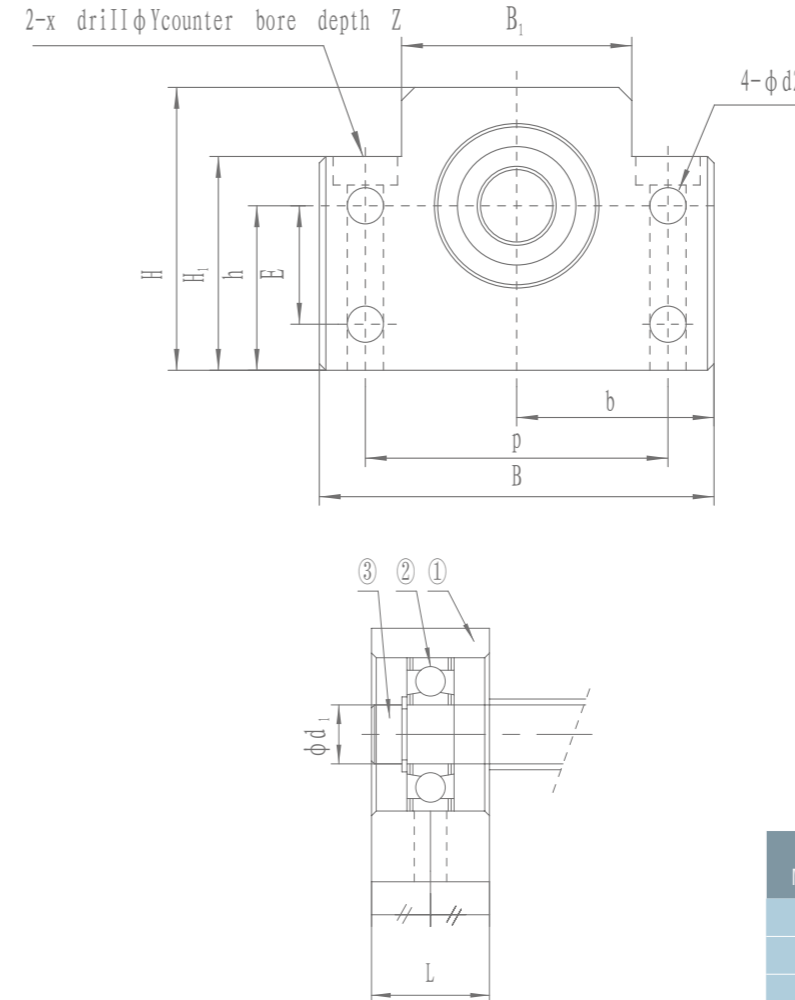
型号 Model No.	部品名称 Part name	数量 Qty
1	轴承座本体 /Housing	1
2	轴承 /Bearing	1 组 /1 set
3	压板 /Holding lid	1
4	间隔圈 /Collar	2
5	轴封 /Seal	1(2)
6	锁固螺帽 /Lock nut	1
7	内六角止付螺丝付铜片 / Hexagon socket-head Setscrew(with set piece)	2

- C7 级使用之 7 字头轴承无预压处理，轴向最大间隙 0.018mm
- C5 级使用之轴承经预压处理，轴向 0 间隙
- 轴承皆采用日系品牌大厂

- Using angular contact ball bearings without preload for C7 types Support Units, and Max. axial clearance is 0.018mm.
- Bearings make Preload for C5 type support units, and Axial clearance is 0mm.
- All of bearings use Japan's brand bearings.

型号 Model No.	轴径 Shaft diameter d	L	L1	L2	L3	B	H	b ±0.02	h ±0.02	B1	H1	E	P	C1	C2	d2	X	Y	Z	M	T
BK10	10	25	5	29	5	60	39	30	22	34	32.5	15	46	13	6	5.5	6.6	10.8	5	M3	16
BK12	12	25	5	29	5	60	43	30	25	34	32.5	18	46	13	6	5.5	6.6	10.8	1.5	M4	19
BK15	15	27	6	32	6	70	48	35	28	40	38	18	54	15	6	5.5	6.6	11	6.5	M4	22
BK17	17	35	9	44	7	86	64	43	39	50	55	28	68	19	8	6.6	9	14	8.5	M4	24
BK20	20	35	8	43	8	88	60	44	34	52	50	22	70	19	8	6.6	9	14	8.5	M4	30
BK25	25	42	12	54	9	106	80	53	48	64	70	33	85	22	10	9	11	17	11	M5	35
BK30	30	45	14	61	9	128	89	64	51	76	78	33	102	23	11	11	14	20	13	M6	40
BK35	35	50	14	67	12	140	96	70	52	88	79	35	114	26	12	11	14	20	13	M8	50
BK40	40	61	18	76	15	160	110	80	60	100	90	37	130	33	14	14	18	26	17.5	M8	50

**BF**



型号 Model No.	部品名称 Part name	数量 Qty
1	轴承座本体 /Housing	1
2	轴承 /Bearing	1 组 /1 set
3	C 型扣环 /Snap ring	1

- 染黑使用之轴承采用变铁蓝
- 化学镍使用之轴承采用双塑料盖
- 轴承皆采用日系品牌大厂

- It is used double pressed steel cages for Black Oxide type support units.
- It is used double plastic cages for Electroless Nickel Plating type support units.
- All of bearings use Japan's brand bearings.

型号 Model No.	轴径 Shaft diameter d	L	B	H	b ±0.02	h ±0.02	B1	H1	E	P	d2	X	Y	Z	使用轴承 Bearing	使用 C 型扣环 Snap ring
BF10	8	20	60	39	30	22	34	32.5	15	46	5.5	6.6	10.8	5	608ZZ	S 08
BF12	10	20	60	43	30	25	34	32.5	18	46	5.5	6.6	10.8	1.5	6000ZZ	S 10
BF15	15	20	70	48	35	28	40	38	18	54	5.5	6.6	11	6.5	6002ZZ	S 15
BF17	17	23	86	64	43	39	50	55	28	68	6.6	9	14	8.5	6203ZZ	S 17
BF20	20	26	88	60	44	34	52	50	22	70	6.6	9	14	8.5	6004ZZ	S 08
BF25	25	30	106	80	53	48	64	70	33	85	9	11	17	11	6205ZZ	S 25
BF30	30	32	128	89	64	51	76	78	33	102	11	14	20	13	6206ZZ	S 30
BF35	35	32	140	96	70	52	88	79	35	114	11	14	20	13	6207ZZ	S 35
BF40	40	37	160	110	80	60	100	90	37	130	14	18	26	17.5	6208ZZ	S 40