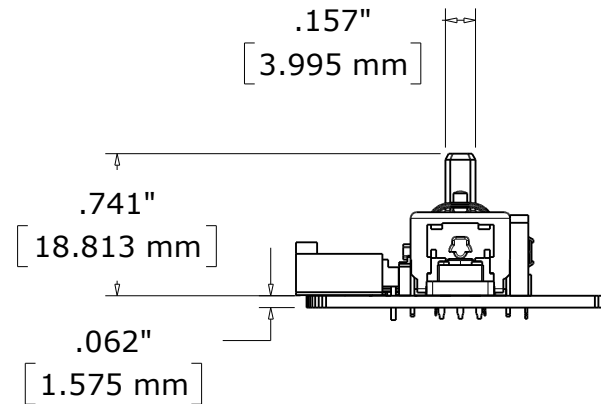
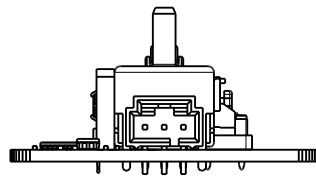
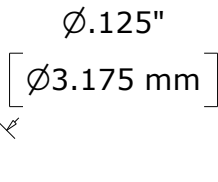
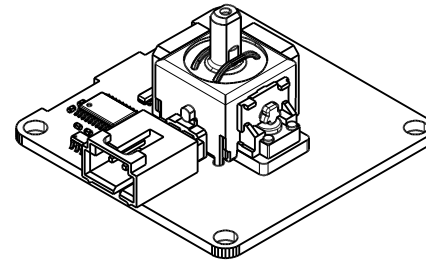
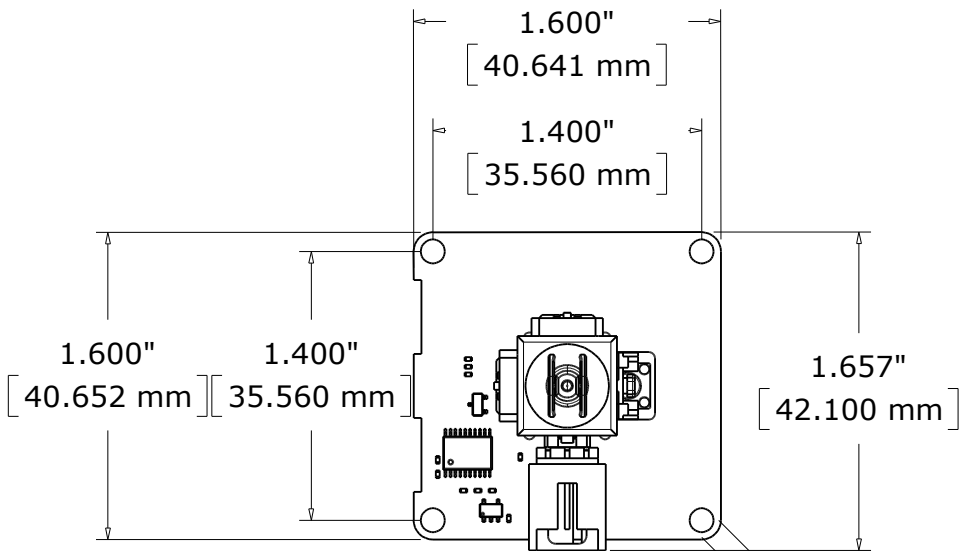


# HIN1100\_0 Mechanical Drawing



# HIN1100\_0 Enclosure Mechanical Drawing

