

RevNo 1

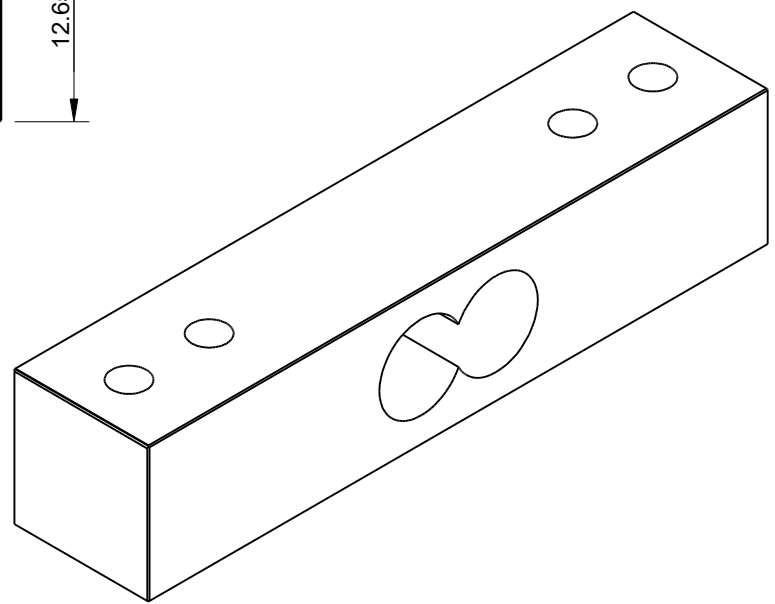
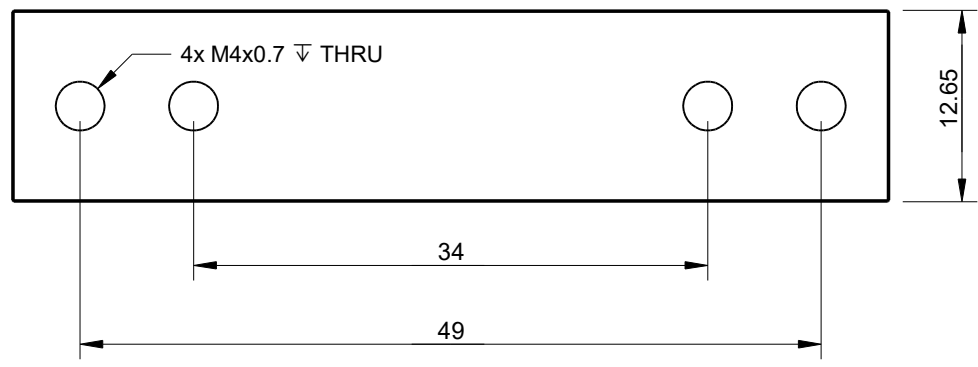
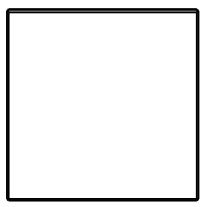
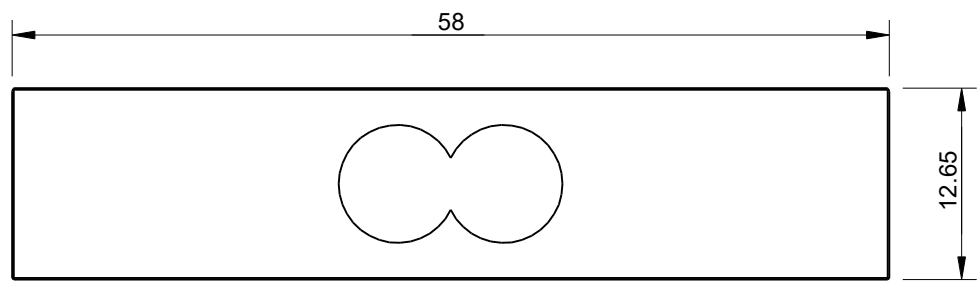
Revision note

FRC4116_0 - 25kg Load Cell

Date 2025-6-2

Signature

Checked

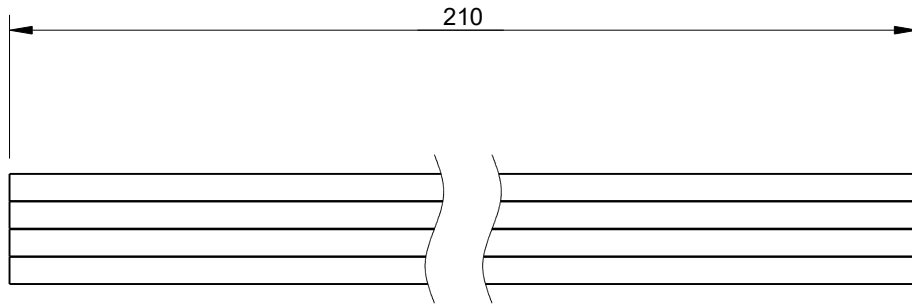


Units in mm

Scale
1:1

Edition

Sheet
1 OF 2



30AWG. SMM-003T-P0.5 crimp pins installed.

