

# MUJIE-INT

YOUR AUTOMATION ,YOUR MUJIE !

Solid and wear-resistant appearance, accurate measurement, imported flexible steel wire, mainly used for hydraulic system, linear motion system control, displacement strain detection, etc



## Rotary cable encoder mlx78s series

### ► Model Explanation

MLX	78	S	-F-	( 1000 )	BZ	5-30	G	2	-3m	□
ModelM: Incremental encoder M□: Special definition	Size	Shaft type: Solid shaft	Output configuration : F: Push-pull C: Open collector E: Voltage L: Driver output (driving element AM26LS31) T: Driver output (driving element ICHD7)	Resolution 10-5000P/R	Outputsignal: B:AB BZ:ABZ	Supply voltage 5:5V 5-30:5-30V	Outlet way G:Side outlet F:Side outlet waterproof E:Bottom outlet	Cable 2 : 2m	Length of steel wire 3:3m	Customized information

### ► Cable Color Explanation

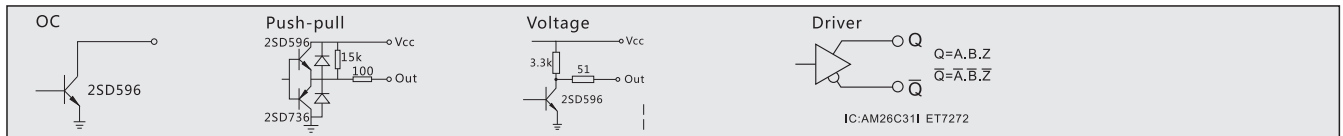
Signal	VCC	0V	A	B	Z	A/	B/	Z/	Shield
5 wires	Red	Black	Green	White	Yellow	-	-	-	N.C
8 wires	Red	Black	Green	White	Yellow	Brown	Gray	Orange	N.C

Note1 : Please refer to color table or product instruction to connect wires. A change of wire color may occur without notice.  
Note2 : Standard cable length is 2m.Other length can be customized.

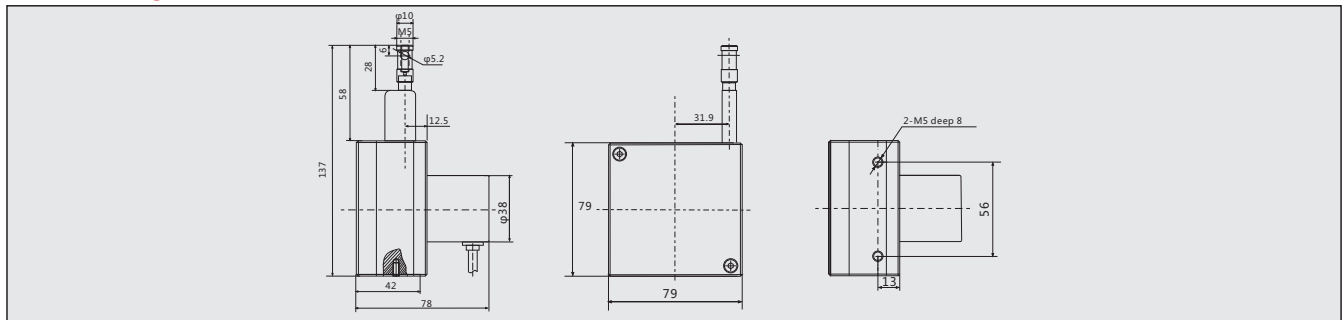
### ► Specification

Electric Parameters			
Output circuit	Drivers L	C、E、F	Drivers T
Mains voltage	+5V±5%	+5V~30V	+8V~30V
Current consumption	≤60mA	≤120mA	≤120mA
Allowable load	20mA	30 mA	20mA
Signal high electrical level	≥2.5V	≥VCC*70%V	≥VCC*70%V
Signal low electrical level	≤0.5V	≤0.5V	≤0.5V
Rise /down time	≤100ns	≤1us	≤100ns
Response frequency	100KHz	100KHz	100KHz
Detailed parameters			
Measuring stroke	0-2000mm	Repetition precision	0.01%
Resolving power	0.1, 0.04, 0.02, 0.01, 0.005	Maximum round-trip speed	300mm/s
Hub circumference	100mm	Reciprocating frequency	20Hz
Shell material	Aluminium alloy	Response frequency	200Hz
Surface treatment	Oxidizing sand blasting	Life	2-5million times
Wire rope	0.6mm	Anti vibration	10Hz-1500Hz 10G
Linear precision	0.05%FS	Impact resistance	50G
Operating temperature range	-25~85°C	The protection grades	IP 54
Outlet tension	5N		

### ► Example for output circuit



### ► Mounting Dimensions(Unit:mm)



Encoder/Magnetic Scale

Displacement /Inclination /Counter

Proximity/Acceleration/Temperature

Photoelectric/Ultrasonic/Area

Pressure / load cell

Couplings/Accessories