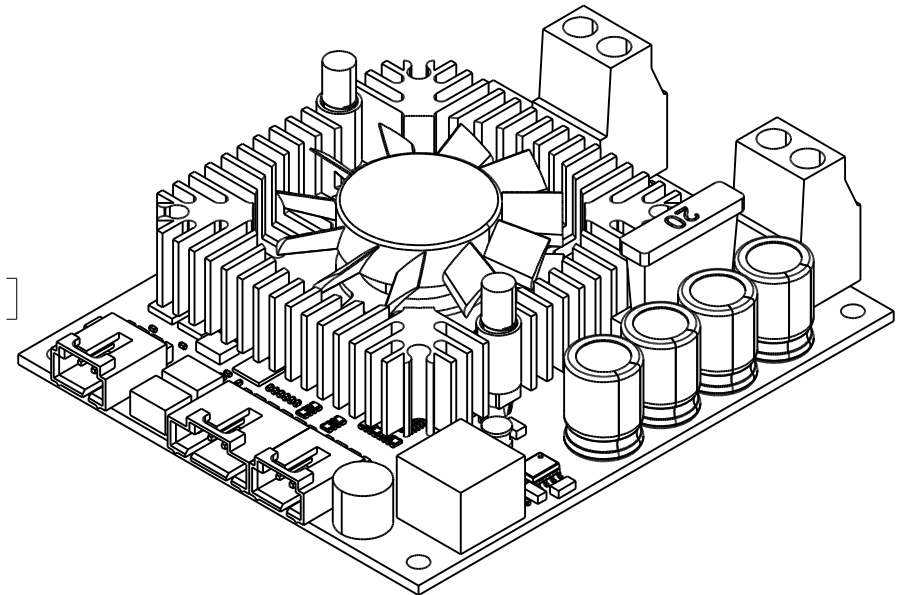
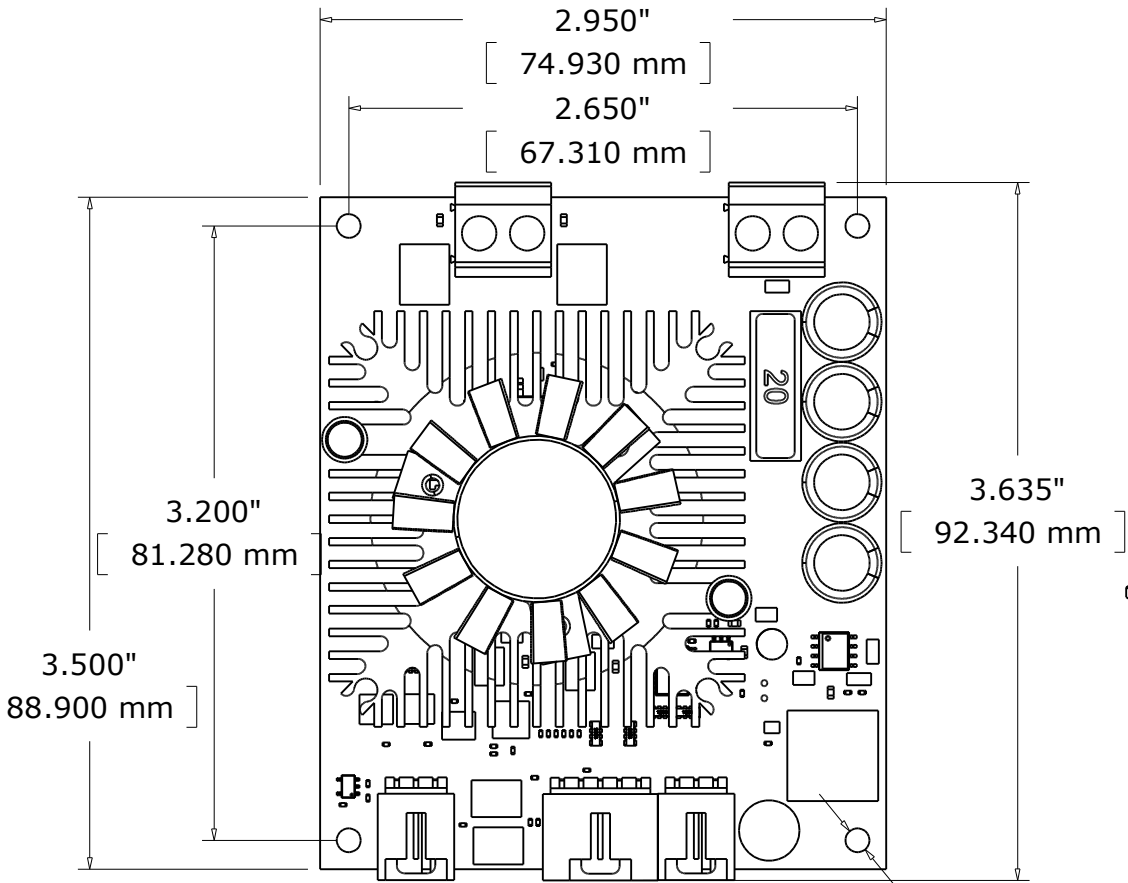
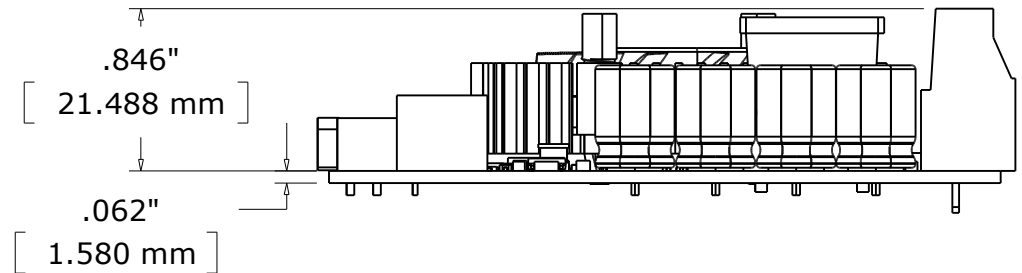
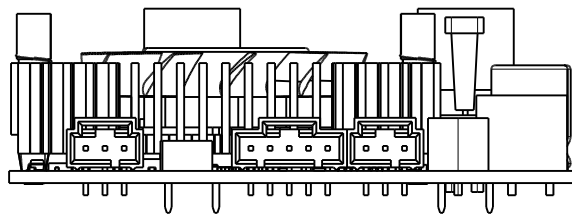


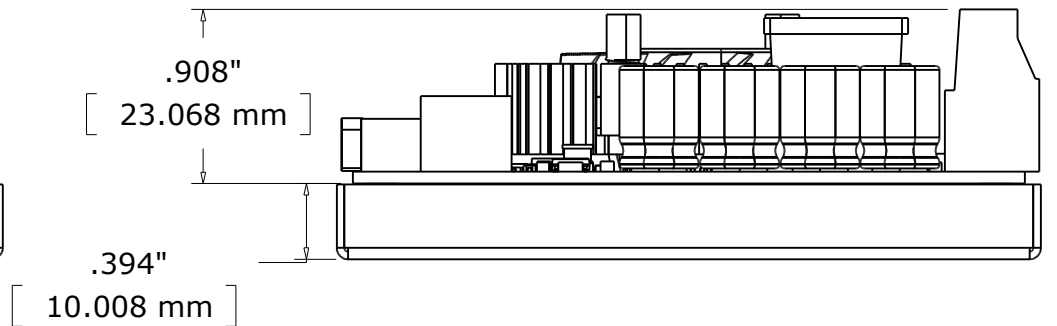
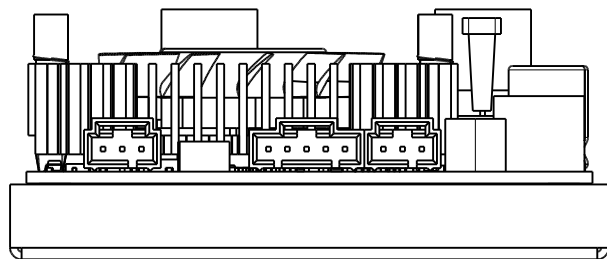
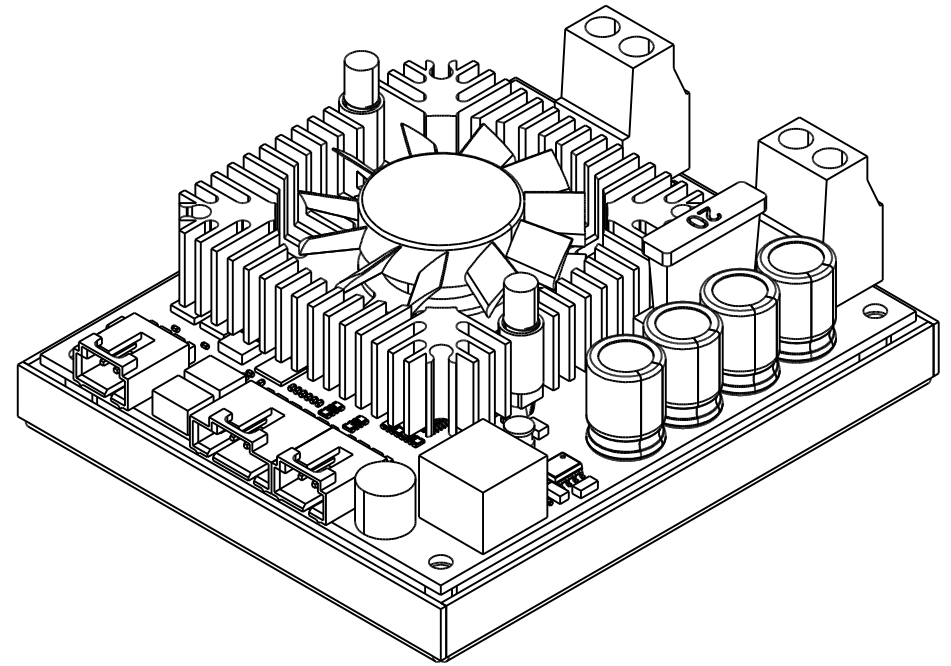
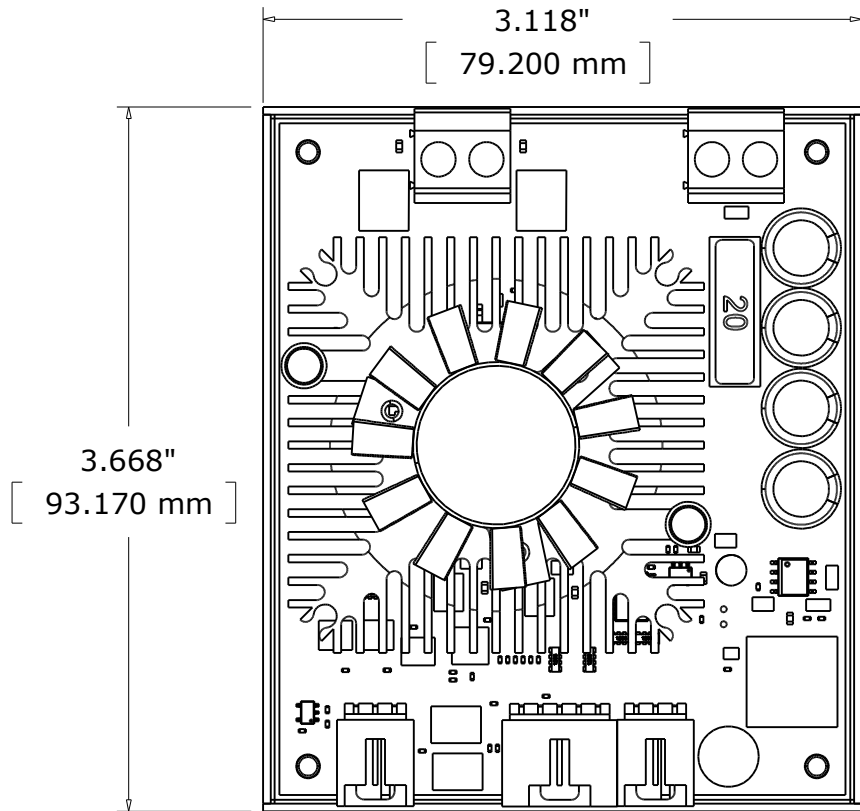
DCC1000_0 Mechanical Drawing



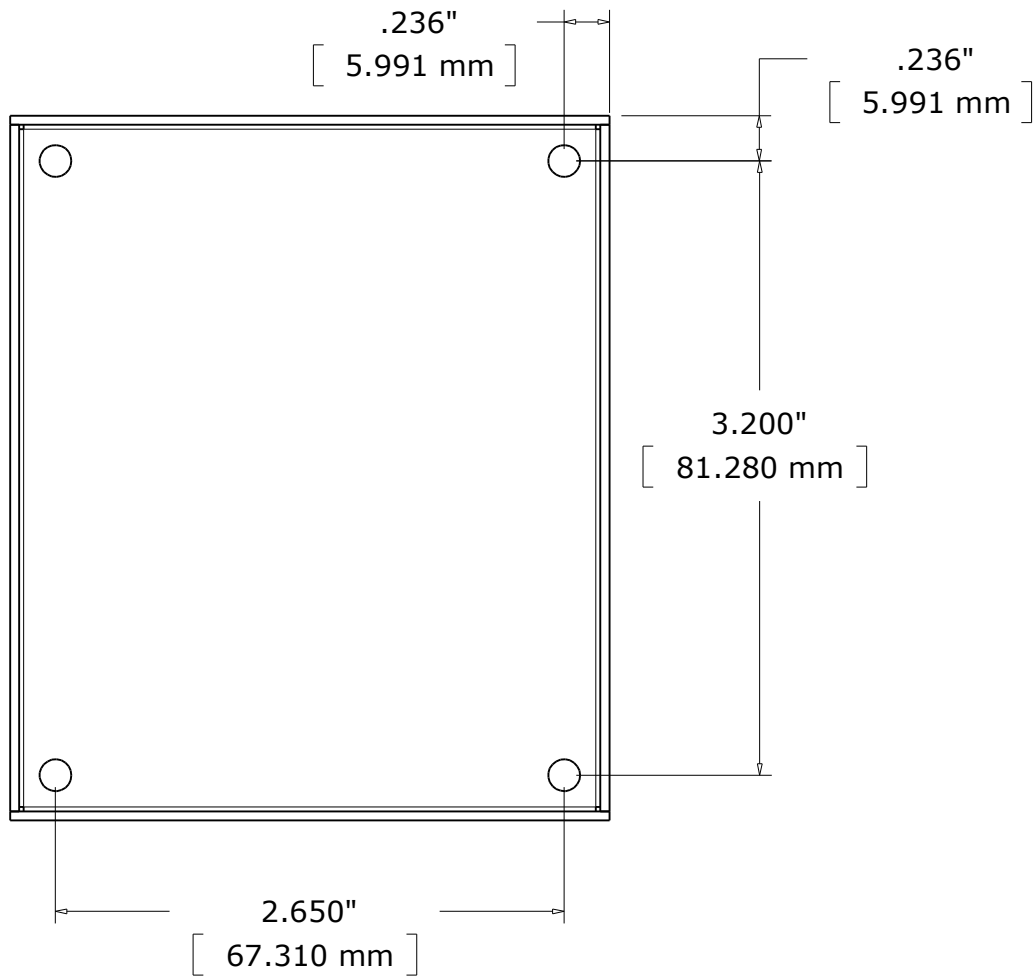
Ø.125"
[Ø3.175 mm]



DCC1000_0 Enclosure Mechanical Drawing



DCC1000_0 Mounting Dimensions



You can mount this device by replacing the M3 screws on the four corners with longer ones. The included screws are 8mm long, just enough to hold the board in place.