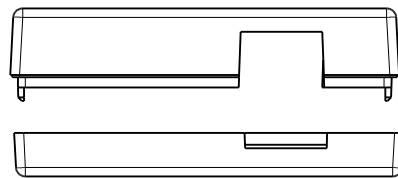
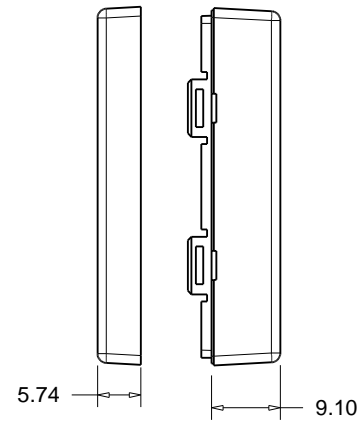
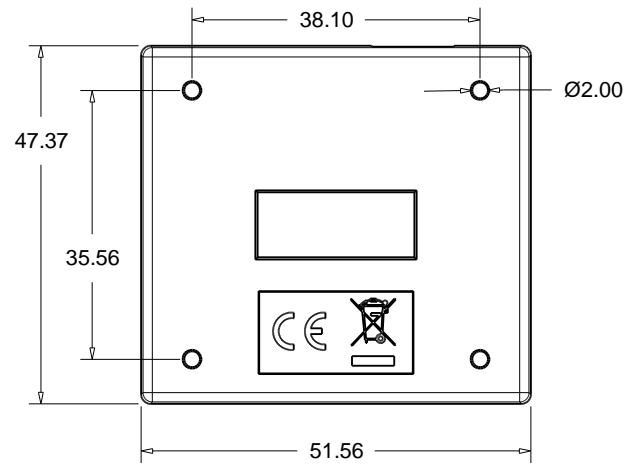


3855_0 Mechanical Drawing



Dimensions are in mm