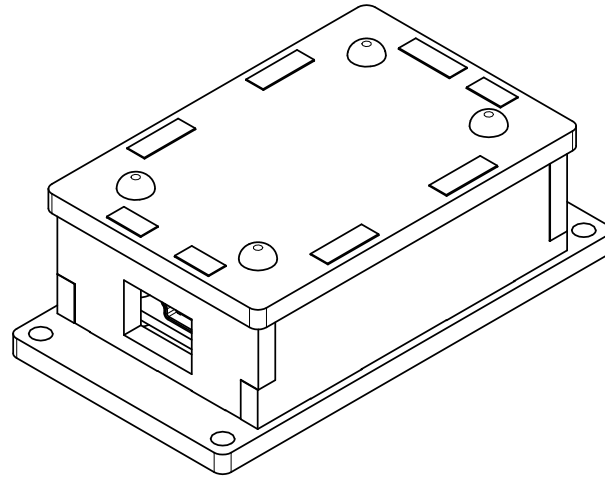
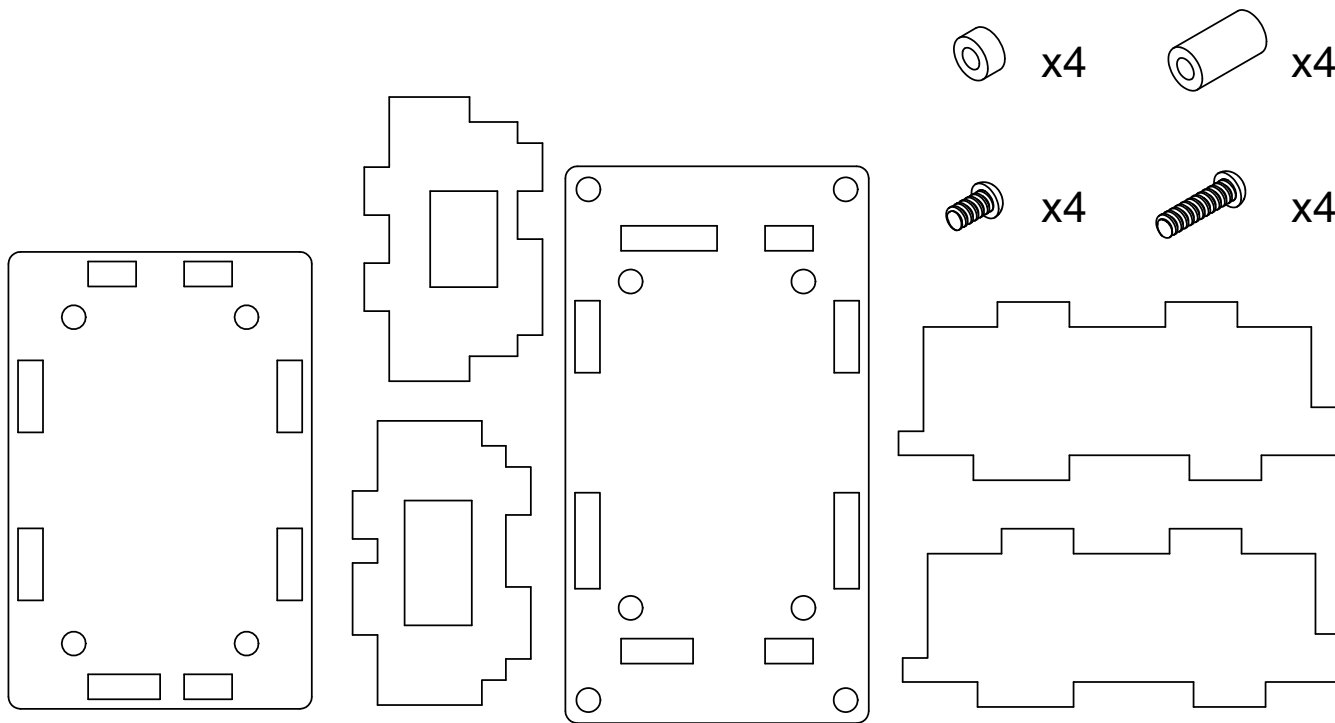


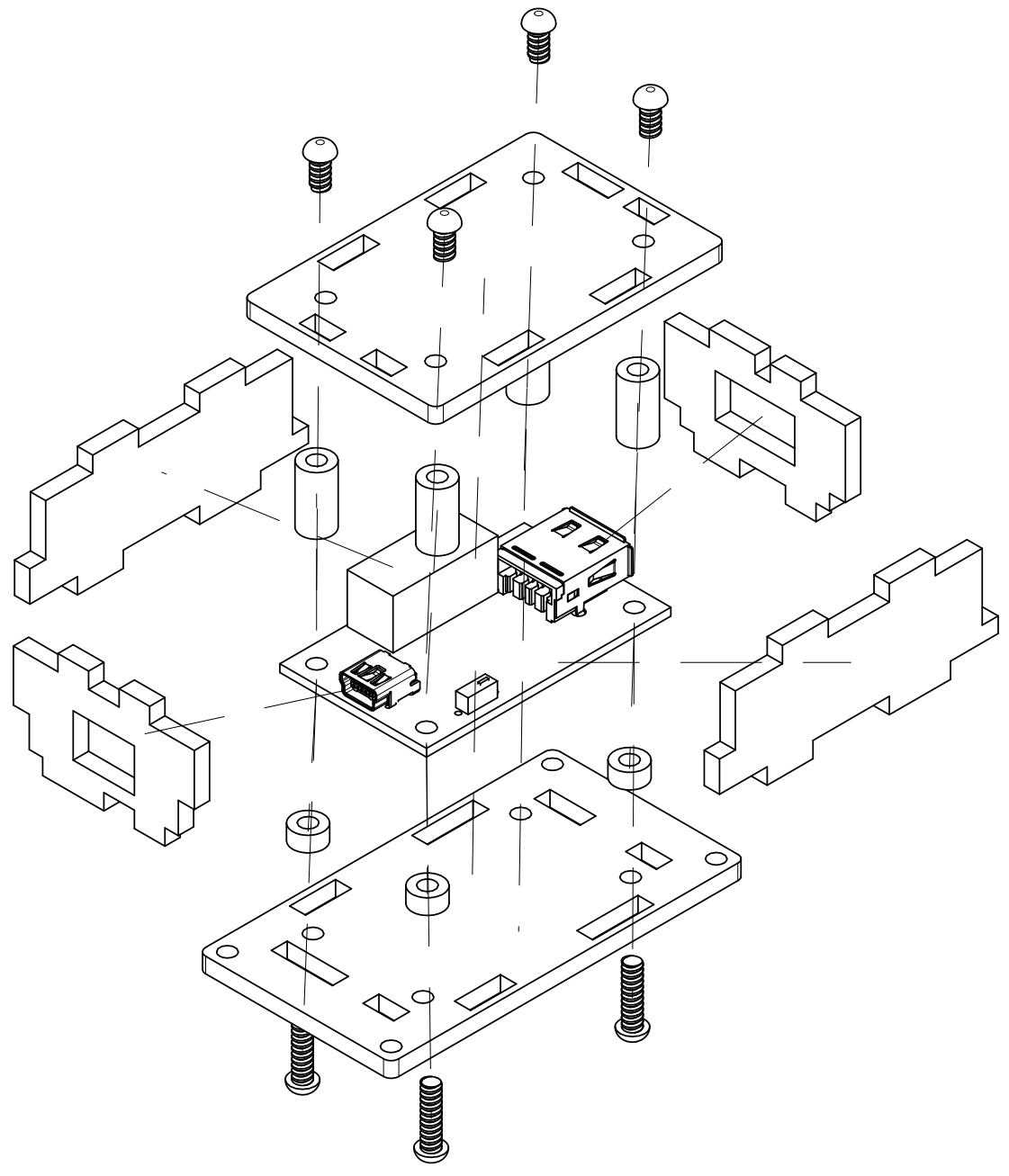
Phidget Enclosure Assembly Instructions

PN 3823 : Acrylic Enclosure for the 3060 USB Isolator

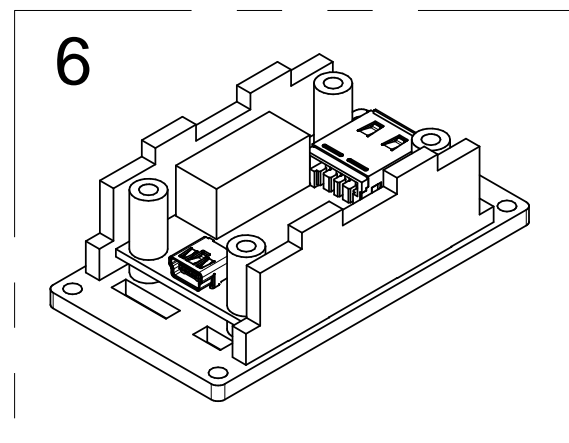
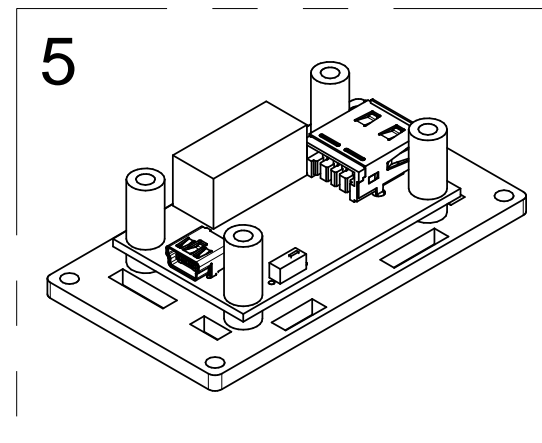
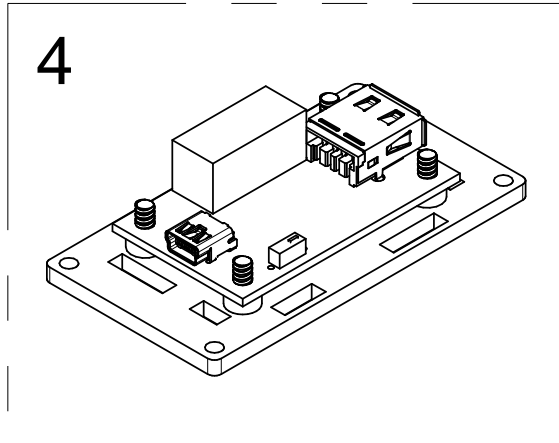
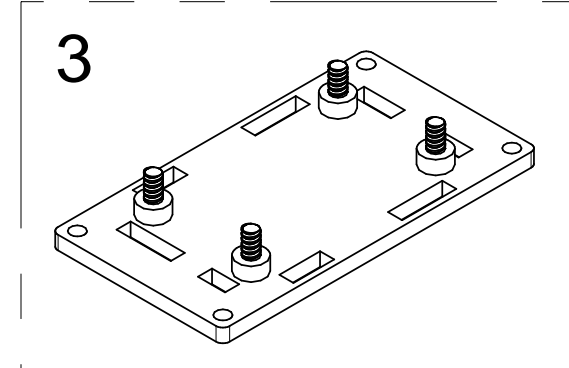
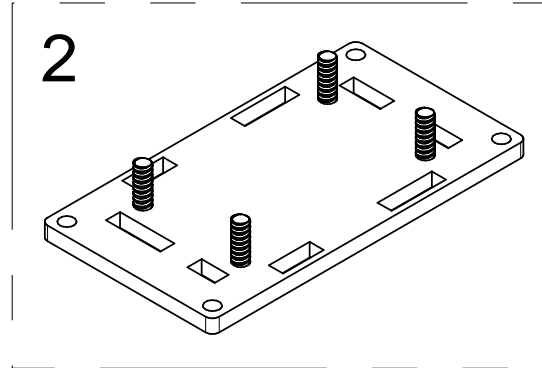
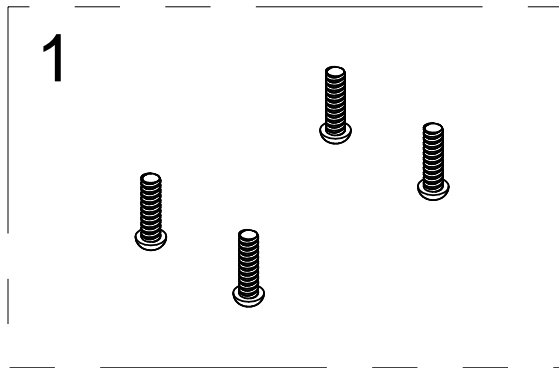


Contents of Enclosure Kit

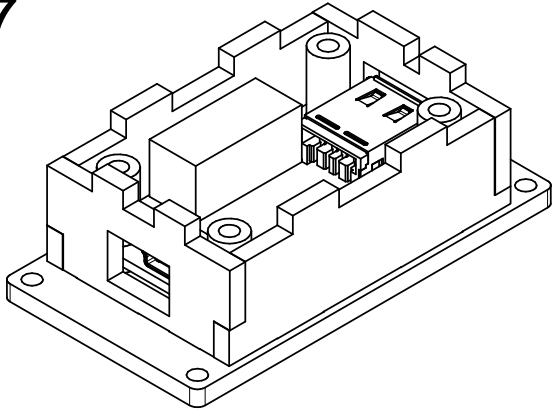




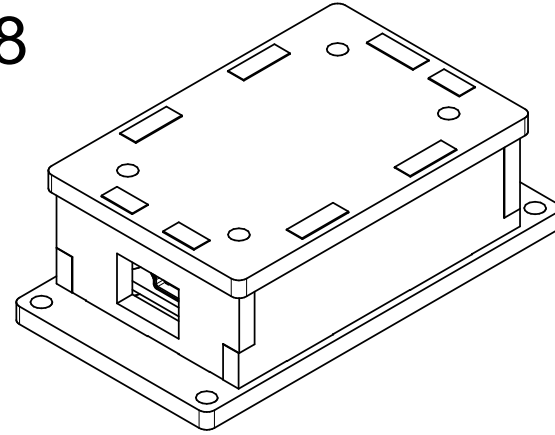
Assembly Instructions



7



8



9

