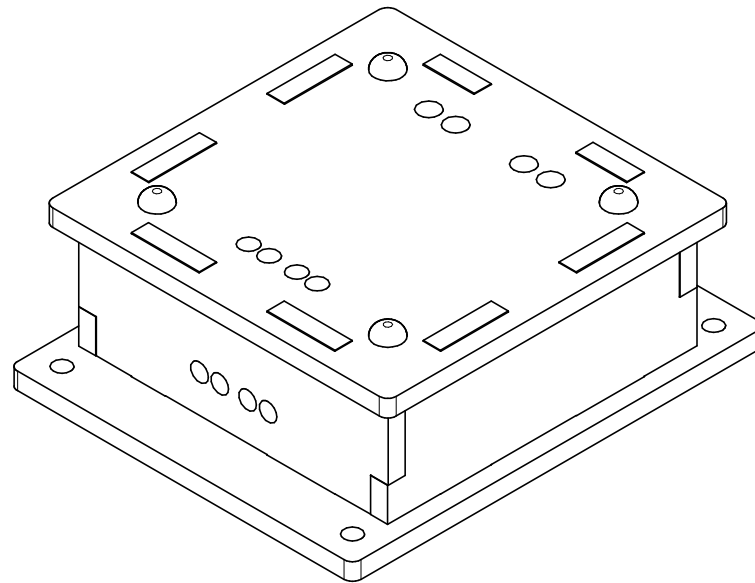


# Phidget Enclosure Assembly Instructions

PN 3822 : Acrylic Enclosure for the 3053 Dual Solid State Relay Board



# Contents of Enclosure Kit



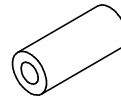
x4



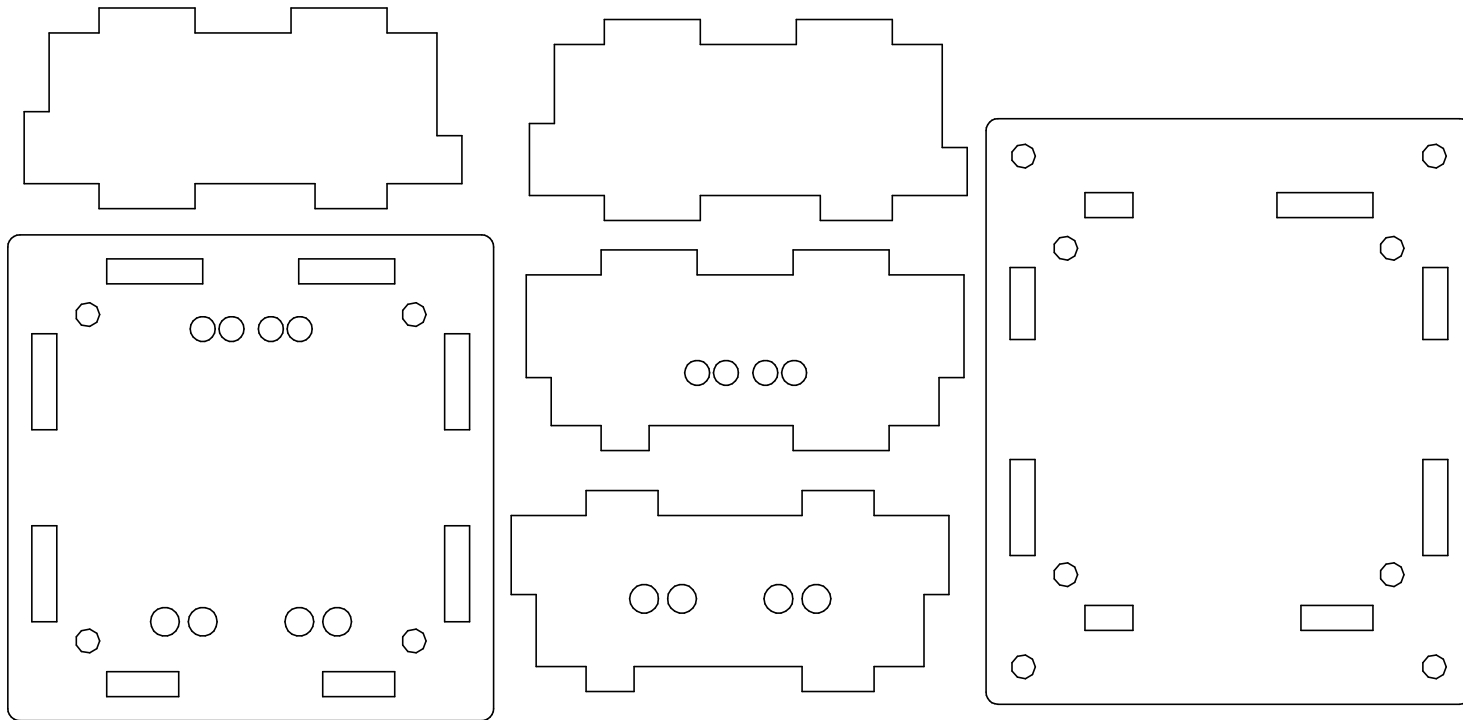
x4

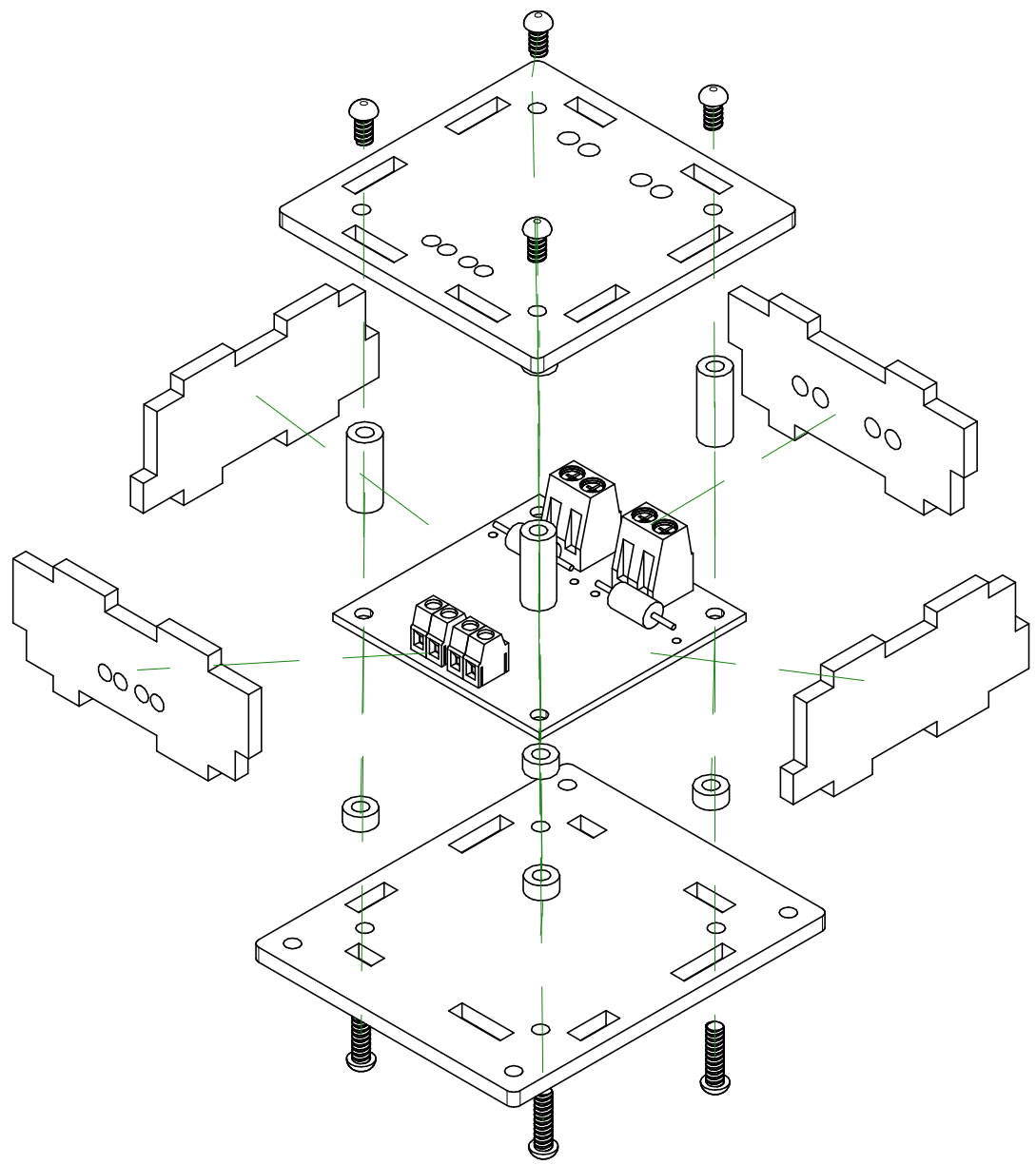


x4



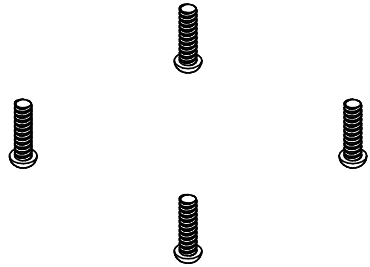
x4



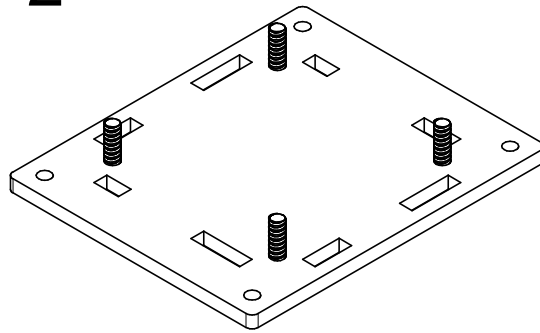


# Assembly Instructions

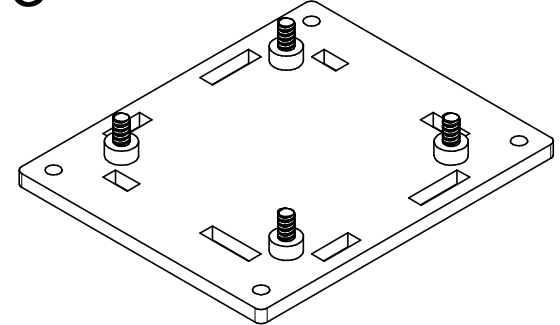
1



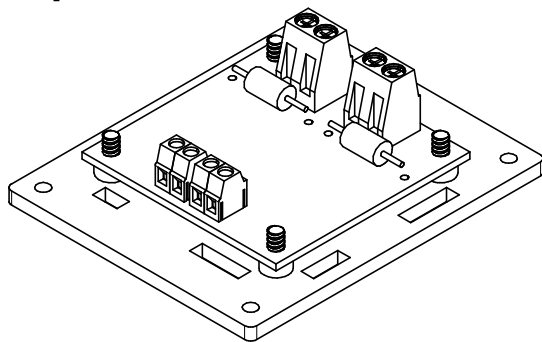
2



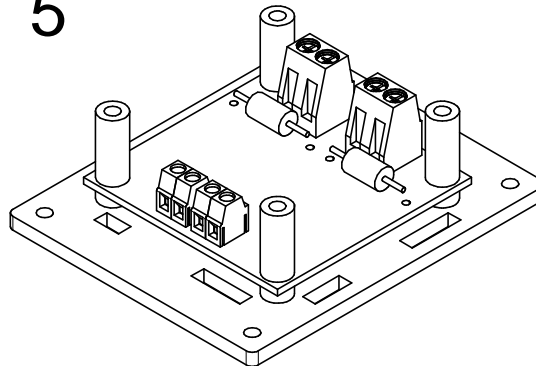
3



4



5



6

