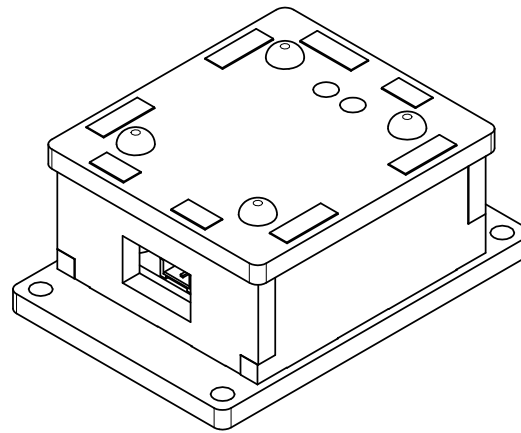
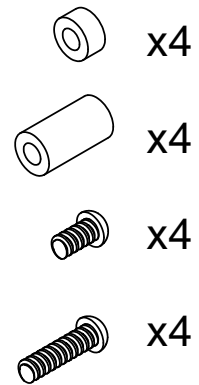
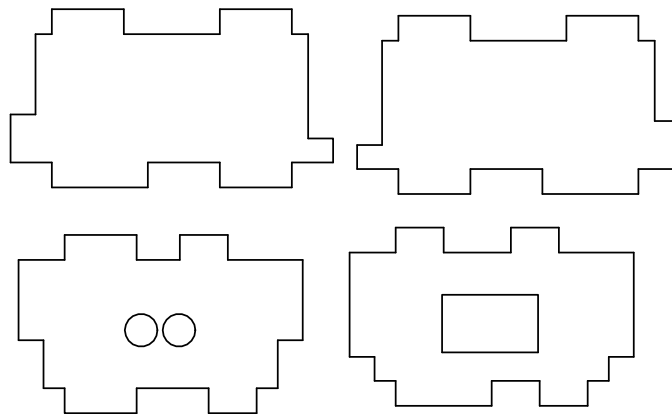
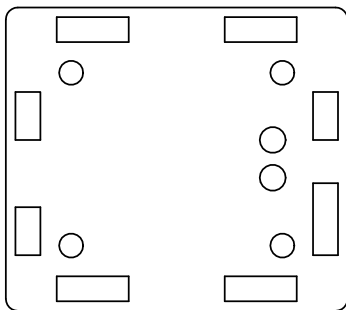
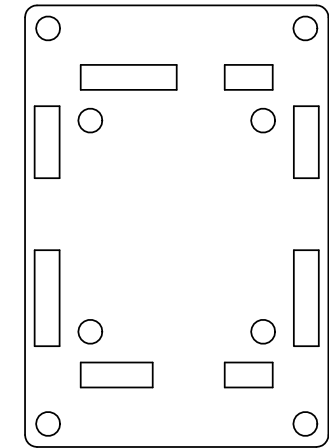


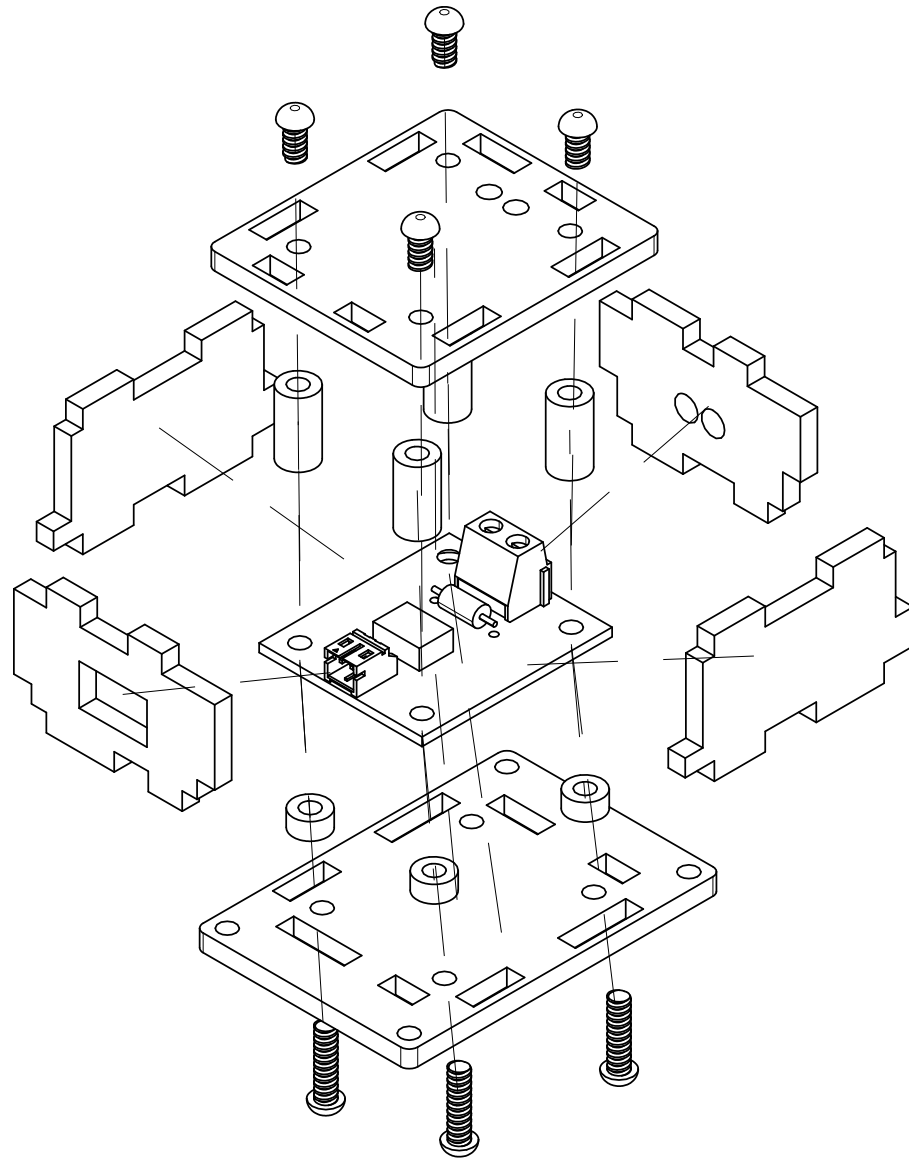
Phidget Enclosure Assembly Instructions

PN 3821 : Acrylic Enclosure for the 3052 Solid State Relay Board



Contents of Enclosure Kit





Assembly Instructions

