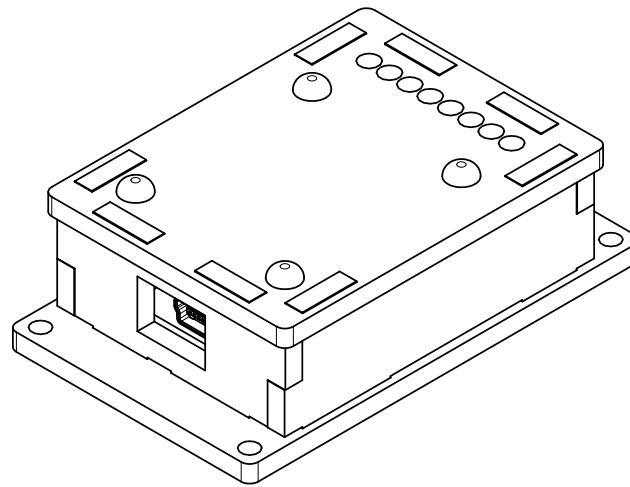
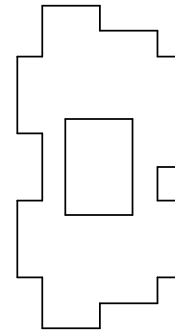
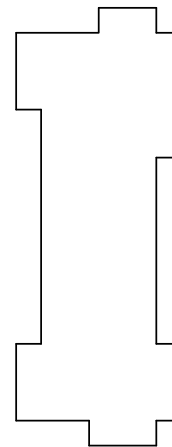
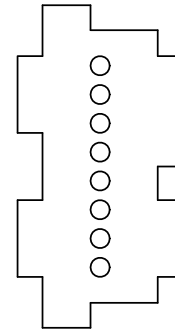
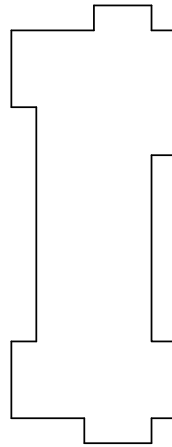
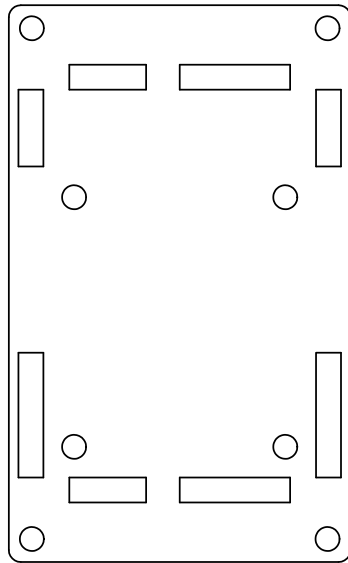
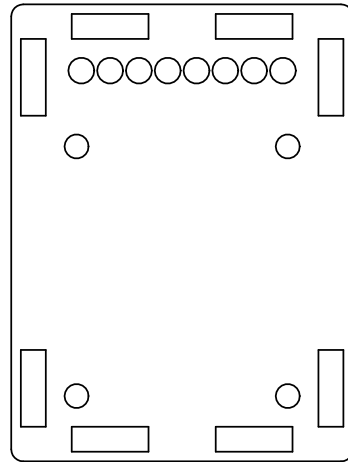


Phidget Enclosure Assembly Instructions

PN 3800 : Acrylic Enclosure for 1002 PhidgetAnalog



Contents of Enclosure Kit



x4



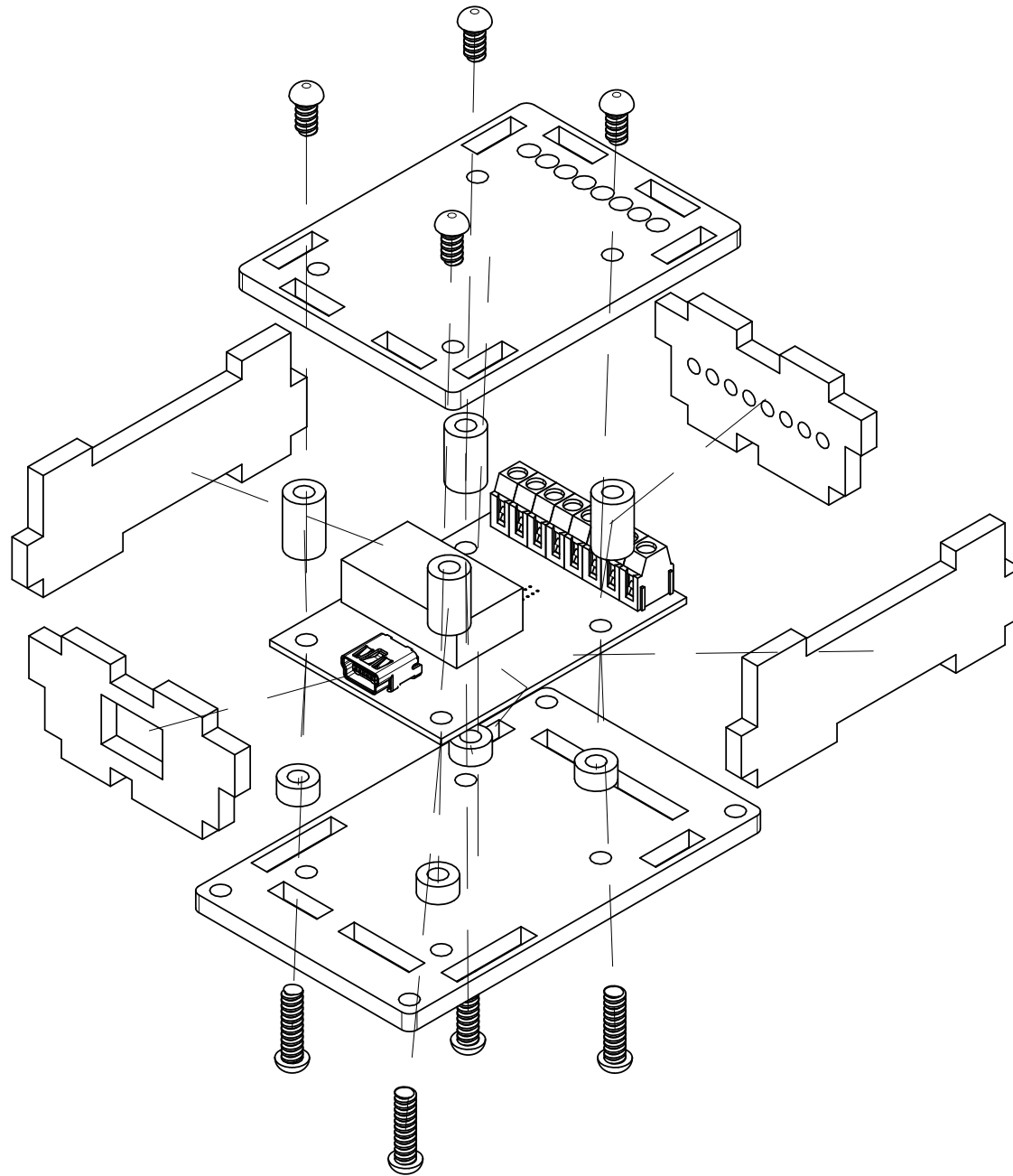
x4



x4

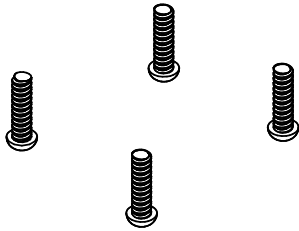


x4

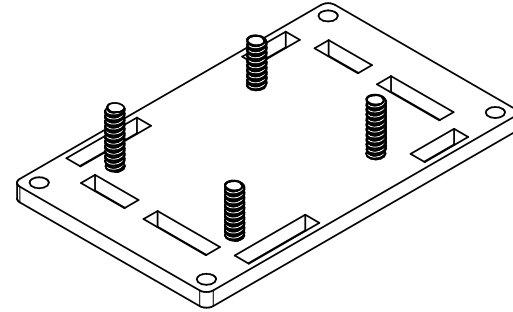


Assembly Instructions

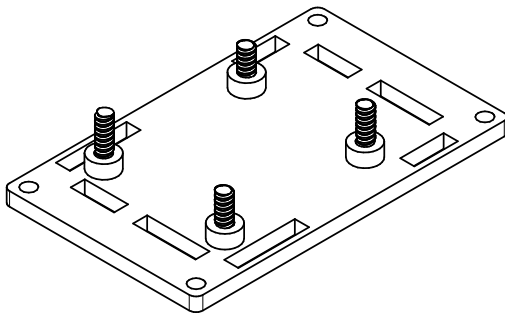
1



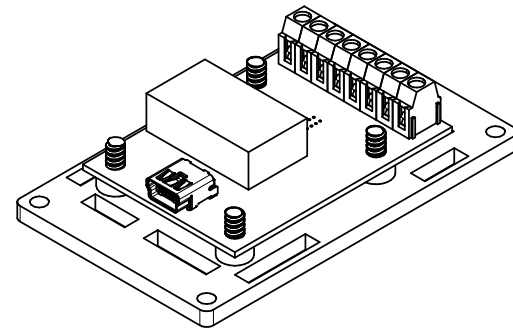
2



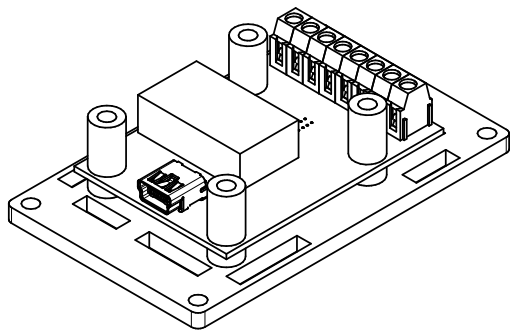
3



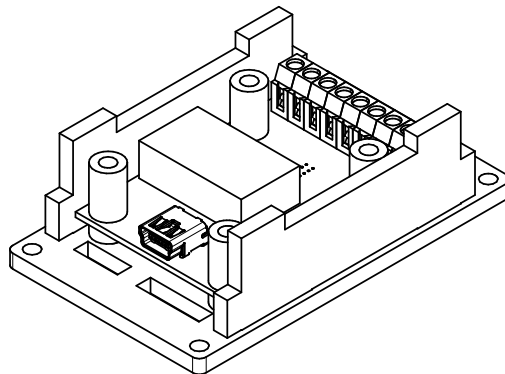
4



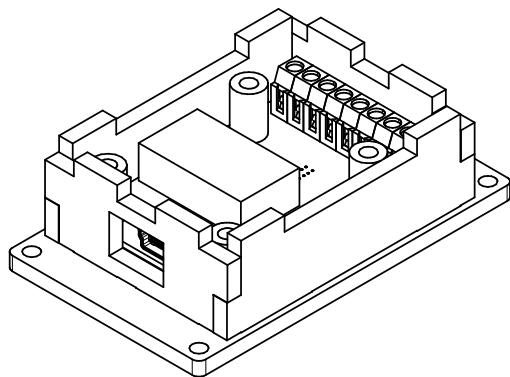
5



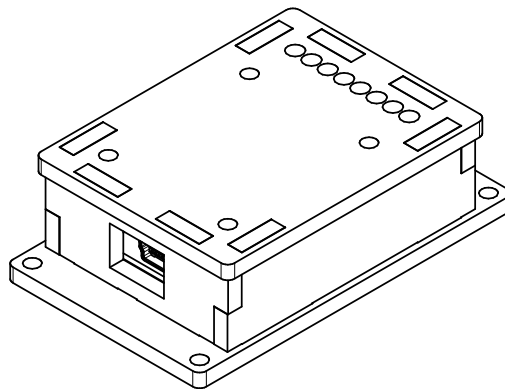
6



7



8



9

