

PLASTIC CYLINDRICAL PHOTOELECTRIC SENSOR PR18S SERIES (THROUGH BEAM)

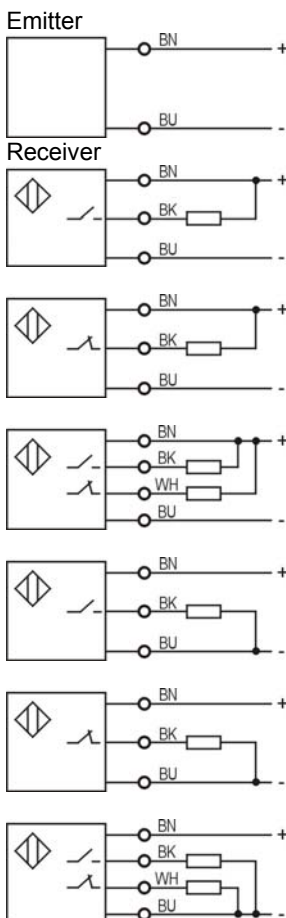
Photo



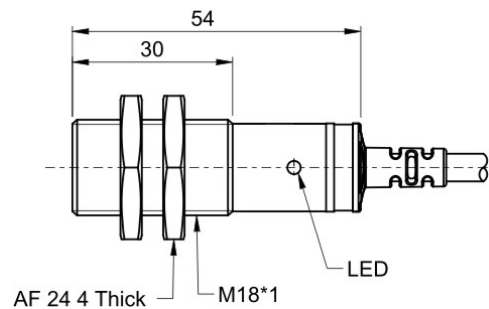
Feature Description

- ◆ Performance more steady due to specialized IC
- ◆ Surge, reverse polarity and short-circuit protection
- ◆ Housing material: PBT
- ◆ Protection degree: IP67 (IEC)

Connection diagram



Dimension drawing



Item Code

NPN	NO	PR18S-TM10DNO
NPN	NC	PR18S-TM10DNC
NPN	NO+NC	PR18S-TM10DNR
PNP	NO	PR18S-TM10DPO
PNP	NC	PR18S-TM10DPC
PNP	NO+NC	PR18S-TM10DPR

Specification

Housing size [mm]	M18*54
Thread size [mm]	M18*1*30
Mode	Through beam
SN [mm]	10m
Light source	Infrared LED (modulated)
Output	NPN/PNP NO/NC/NO+NC
Power supply	10...30VDC
Sensing object	Opaque material >φ15mm
Response time	Max, 3ms
Hysteresis [%/Sr]	—
Repeat accuracy	≤3%
Load current [mA]	≤200mA
Residual voltage	≤2.5VDC
Consumption current [mA]	≤15mA
Protection circuit	Surge protection
Indicator	Yellow LED
Ambient temp.[°C]	-25...55°C
Ambient RH	35...85RH
Dielectric strength	1000V/AC 50/60Hz 60s
Insulation resistance	≥50MΩ (500VDC)
Anti-vibration	1.5mm amplitude at 10 to 55Hz for 2hours each in x, y, z D-D
Protection degree	IP67
Housing material	PBT
Connection	PVC Cable 2m