

Curved Jaw Couplings

CL8 Series

- Zero backlash, flexible shaft
- Absorbs vibration, angular and parallel misalignment
- Provides electrical isolation
- Identical clockwise and counterclockwise rotation
- Select up to three spider hardnesses
- Multiple bore and shaft connecting configurations



Setscrew Type



Clamp Type

CL8 OPTIONS

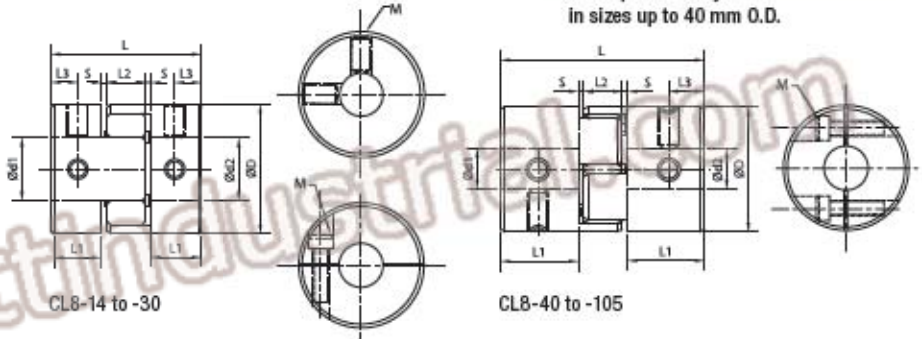
Aluminum Hubs
Elastomer Spider-Shore Hardness
-80A (Blue)
-92A (Yellow)
-98A (Red)
Setscrew
Clamp

* Blue spider is only available in sizes up to 40 mm O.D.

ORDERING INFORMATION

CL8 - □ - □ - □ - □ - □ - □

Spider hardness, if no sign Shore 98A
d2 Bore
d1 Bore
Outside Diameter
(C) Clamp, no sign for setscrew



CL8-14 to -30

CL8-40 to -105

CL8 SETSCREW AND CLAMP DIMENSIONS

Model	Bore Range (Ød1-Ød2)		ØD	L	L1	L2	S	L3		M		Wrench Torque						
	Setscrew and Clamp							Setscrew	Clamp	Setscrew	Clamp	Setscrew	Clamp					
	in	mm						mm	mm	mm	mm	mm	mm	mm	metric	metric	Nm	Nm
CL8-14	0.07-0.27	2-7	14	22	7	6	1	3.5	3.5	M3	M2.5	1	1					
CL8-20	0.15-0.39	4-10	20	30	10	8	1	5	5	M4	M3	1.3	1.3					
CL8-25	0.15-0.47	4-12	25	34	11	10	1	5	5	M4	M4	1.5	1.5					
CL8-30	0.31-0.62	8-16	30	35	11	10	1.5	5	5	M4	M4	1.7	1.7					
CL8-40S	0.55-0.94	14-24	40	55	19.5	12	2	10	10	M5	M6	4	8					
CL8-40	0.55-0.94	14-24	40	66	25	12	2	10	10	M5	M6	4	8					
CL8-55	0.55-1.10	14-28	55	78	30	14	2	10	10.5	M5	M6	4	8					
CL8-65	0.74-1.49	19-38	65	90	35	15	2.5	15	11.5	M8	M8	15	15					
CL8-80	0.94-1.77	24-45	80	114	45	18	3	15	15.5	M8	M8	15	15					
CL8-95	1.18-2.16	30-55	95	126	50	20	3	20	18	M8	M10	15	25					
CL8-105	1.37-2.36	35-60	105	140	56	21	3.5	20	21	M8	M12	15	35					

CL8 SETSCREW AND CLAMP SPECIFICATIONS

Model	Rated Torque		Max. Torque		Max. Speed (rpm)		Moment of Inertia	Static Torsional Stiffness	Errors of Eccentricity	Errors of Shaft Angularity	Errors of Shaft Endplay	Mass (g)	
	lb-in	Nm	lb-in	Nm	Setscrew	Clamp						Setscrew	Clamp
CL8-14	9.73	1.1	19.47	2.2	19000	19000	5.9x10 ⁻⁴	46	0.02	1	+ 0.6	26	26
CL8-20	24.78	2.8	49.56	5.6	17000	17000	6.7x10 ⁻⁴	55	0.02	1	+ 0.6	37	37
CL8-25	53.10	6.0	106.20	12.0	16000	16000	7.6x10 ⁻⁴	63	0.02	1	+ 0.6	42	42
CL8-30	57.52	6.5	115.05	13.0	15000	12000	8.5x10 ⁻⁴	72	0.02	1	+ 0.6	46	50
CL8-40S	283.20	32.0	566.40	64.0	13000	10000	9.4x10 ⁻⁴	500	0.02	1	+ 0.8	140	150
CL8-40	283.20	32.0	566.40	64.0	13000	10000	1.1x10 ⁻³	550	0.02	1	+ 0.8	148	156
CL8-55	407.10	46.0	814.20	92.0	10500	8000	4.4x10 ⁻³	1500	0.02	1	+ 0.8	350	362
CL8-65	964.65	109.0	1929.30	218.0	8300	6000	9.0x10 ⁻³	2800	0.02	1	+ 0.8	572	582
CL8-80	1194.75	135.0	2389.50	270.0	7000	4600	1.6x10 ⁻²	3500	0.02	1	+ 1	950	966
CL8-95	2301.00	260.0	4602.00	520.0	6000	3800	2.0x10 ⁻²	4600	0.02	1	+ 1	1800	1820
CL8-105	3805.50	430.0	7611.00	860.0	5500	3400	3.2x10 ⁻²	5800	0.02	1	+ 1	2400	2430