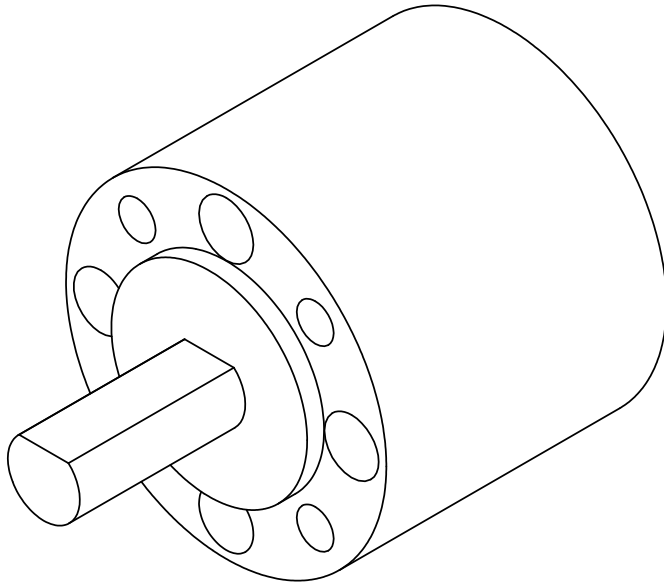


# Planetary Gearbox Mechanical Drawing



Product Number	Gearbox Ratio	Length, A
3311	5.18:1	1.24" (31.5 mm)
3312	26.8:1	1.55" (39.3 mm)
3313	99.5:1	1.85" (46.9 mm)

