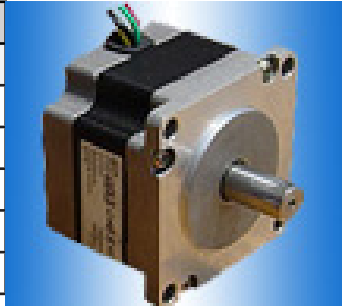
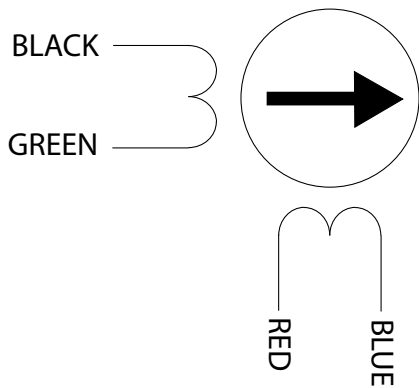
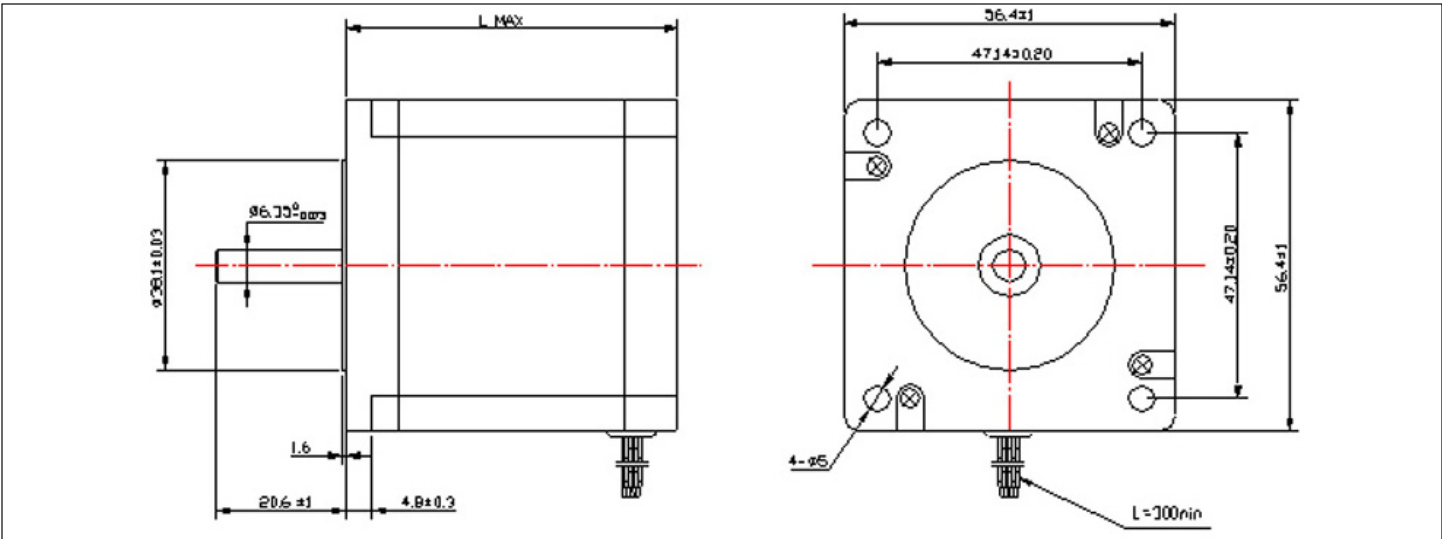


General Specifications	
Item	Specification
Step Accuracy	5%
Temperature Rise	80°C Max
Ambient Temperature	-20°C~+50°C
Insulation Resistance	100MΩ Min., 500VDC
Dielectric Strength	500 VAC for one minute



Electrical Specifications											
Model No.	Step Angle	Motor Length	Rated Voltage	Rated Current	Phase Resistance	Phase Inductance	Holding Torque	# of Leads	Rotor Inertia	Detent Torque	Weight
	°	mm	V	A	Ω	mH	kg-cm		g-cm ²	g-cm	kg
57BYGH013	1.8	41	2.7	1.5	1.8	4	4	4	120	0.21	0.45

Mechanical Dimensions



OR

