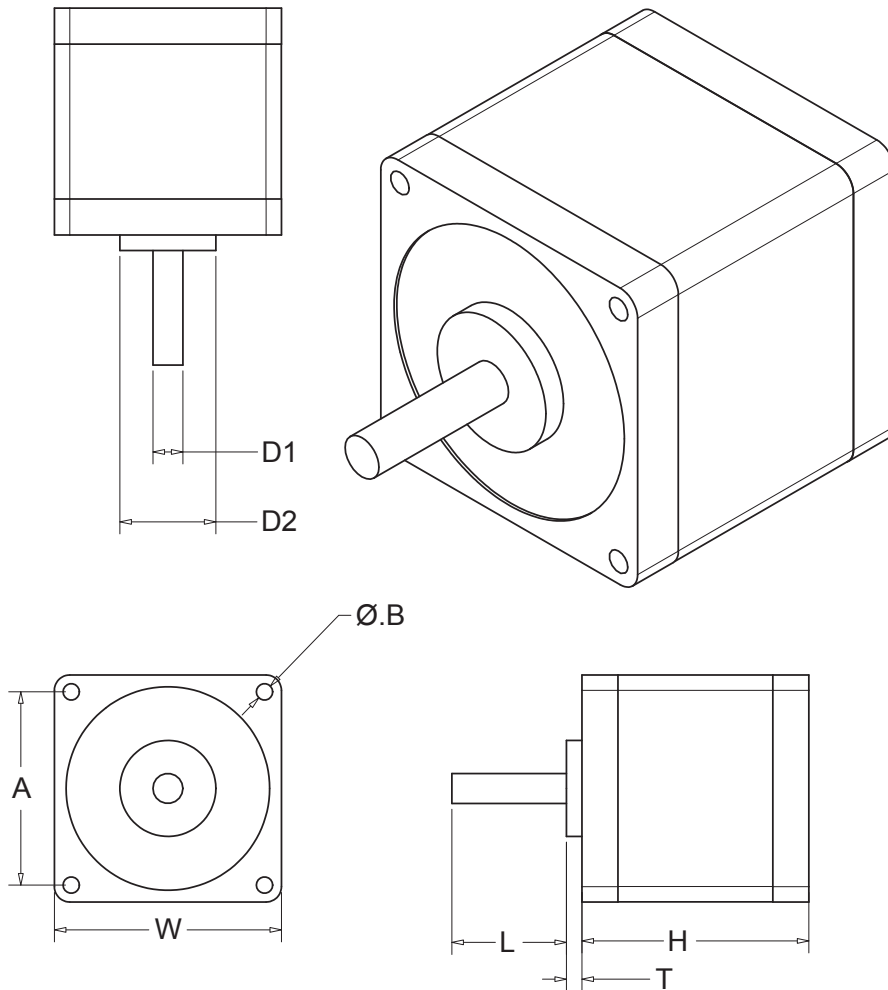


Bipolar Stepper Motor Mechanical Drawing



Part Number	A (mm)	W (mm)	L (mm)	T (mm)	H (mm)	D1 (mm)	D2 (mm)	B (mm)
3300	23.0 +/- 0.2	28.1 +/- 1.0	18.0 +/- 1.0	2.0	32.0	5.0	22.0 +/- 0.03	M2.5 (4.5mm deep)
3301	26.0 +/- 0.2	34.95 +/- 1.0	18.0 +/- 1.0	2.0	27.0	5.0	22.0 +/- 0.05	M3 (3mm deep)
3302	31.0 +/- 0.2	41.0 +/- 1.0	22.0 +/- 1.0	2.0	48.0	5.0	22.0 +/- 0.05	M3 (4.5mm deep)
3303	31.0 +/- 0.2	41.0 +/- 1.0	22.0 +/- 1.0	2.0	48.0	5.0	22.0 +/- 0.05	M3 (4.5mm deep)
3304	31.0 +/- 0.1	38.8 +/- 1.0	17.0 +/- 1.0	3.0	32.1	5.0	12.0 +/- 0.05	M3 (3mm deep)
3305	31.0 +/- 0.1	38.8 +/- 1.0	17.0 +/- 1.0	2.0	20.0	5.0	22.0 +/- 0.05	M3 (3mm deep)
3306 (*)	47.1 +/-0.2	56.4 +/- 1.0	20.6 +/- 1.0	1.6	41.0	6.35	38.1 +/- 0.05	5.0 (No threads)
3308 (*)	47.0 +/- 0.2	56.4 +/- 1.0	20.6 +/- 1.0	1.6	50.0	6.35	38.1 +/- 0.03	5.0 (No threads)

* Note: Shape of motor after the front faceplate is different to allow for bolts to pass through