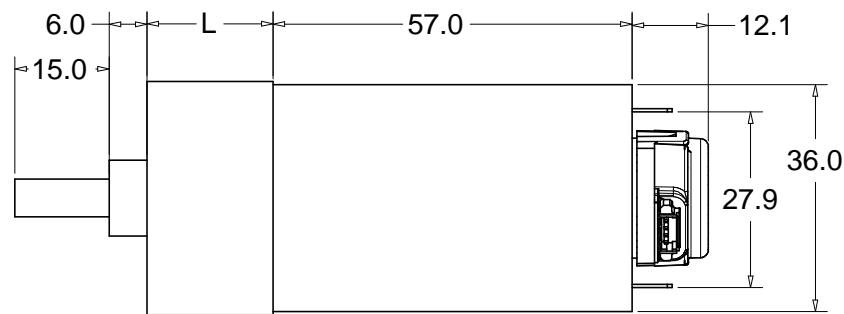
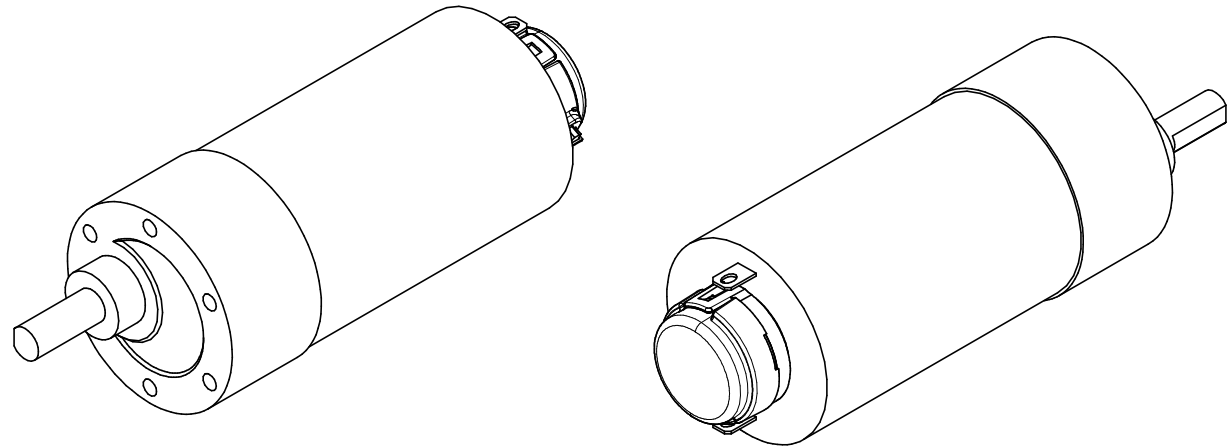
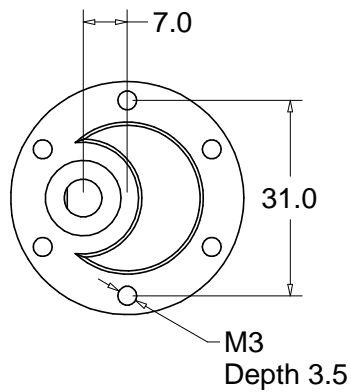
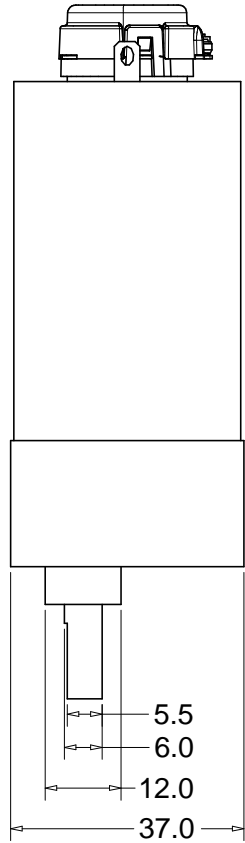




DC Motor with Encoder - 12V/7W

Mechanical Drawing



Product Number	Length "L" (mm)
3258e_0	19.0
3259e_0	26.5
3260e_0	29.0

Units are in mm