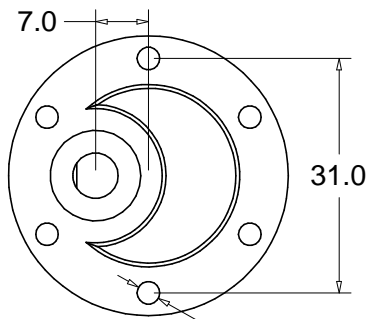
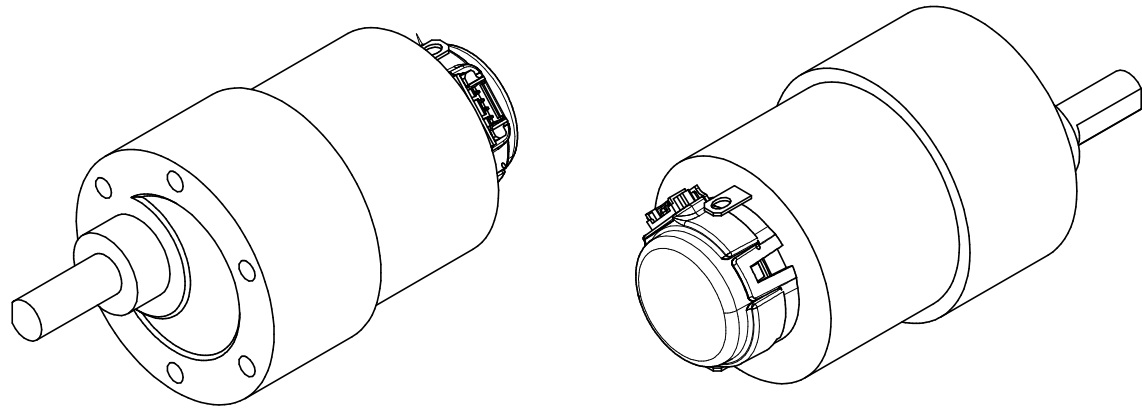
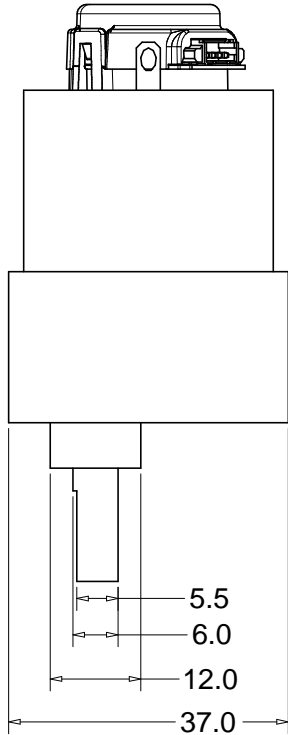


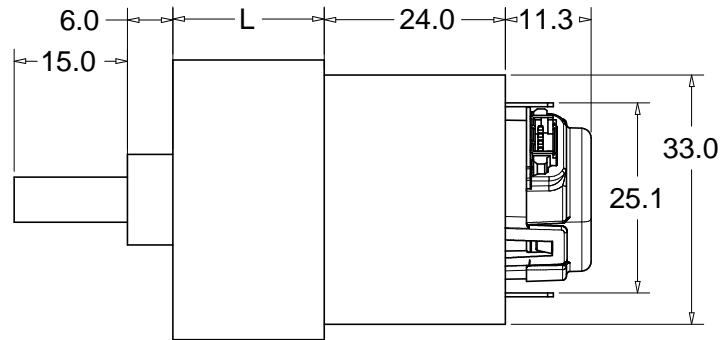


# DC Motor with Encoder - 12V/0.59W

## Mechanical Drawing



M3  
3.5 Depth



Product Number	Length "L" (mm)
3254e_0	19.0
3255e_0	21.5
3256e_0	24.0
3257e_0	24.0

Units are in mm