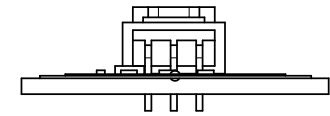
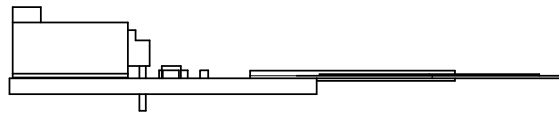
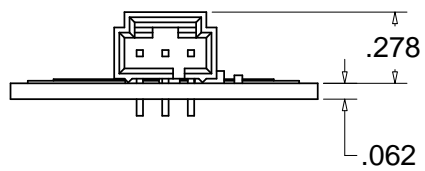
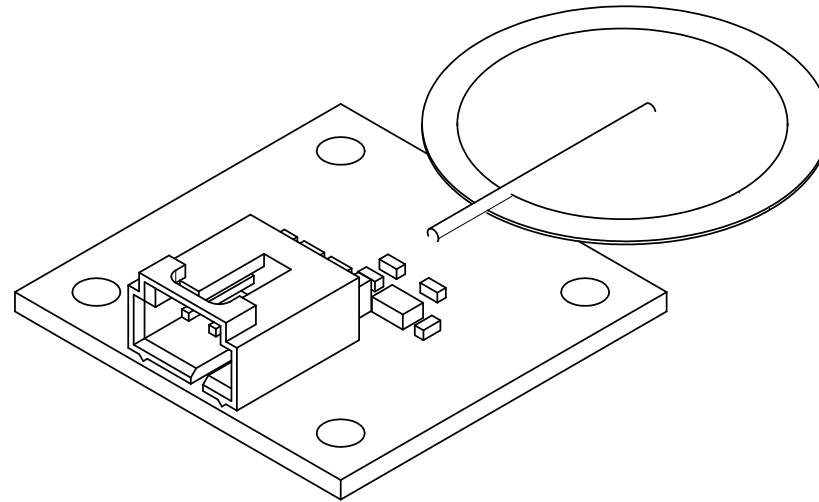
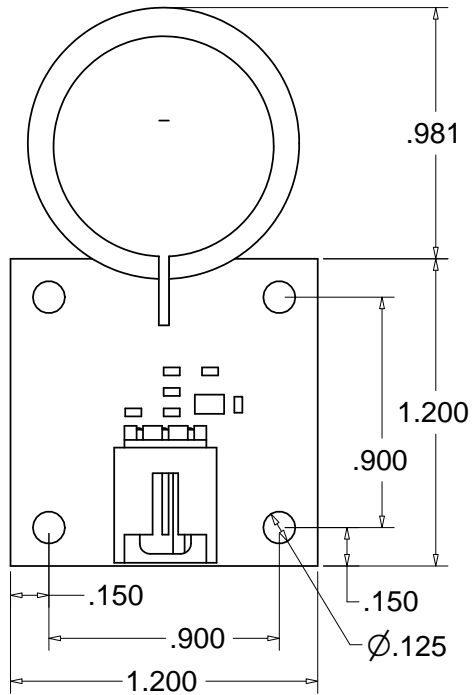


# 1104\_1 Mechanical Drawing



Scale 1:0.75  
Units are in Inches