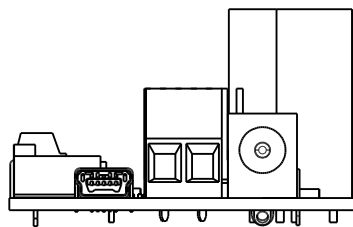
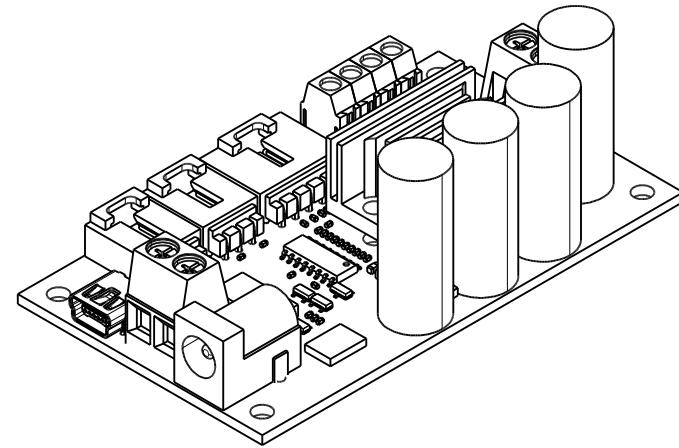
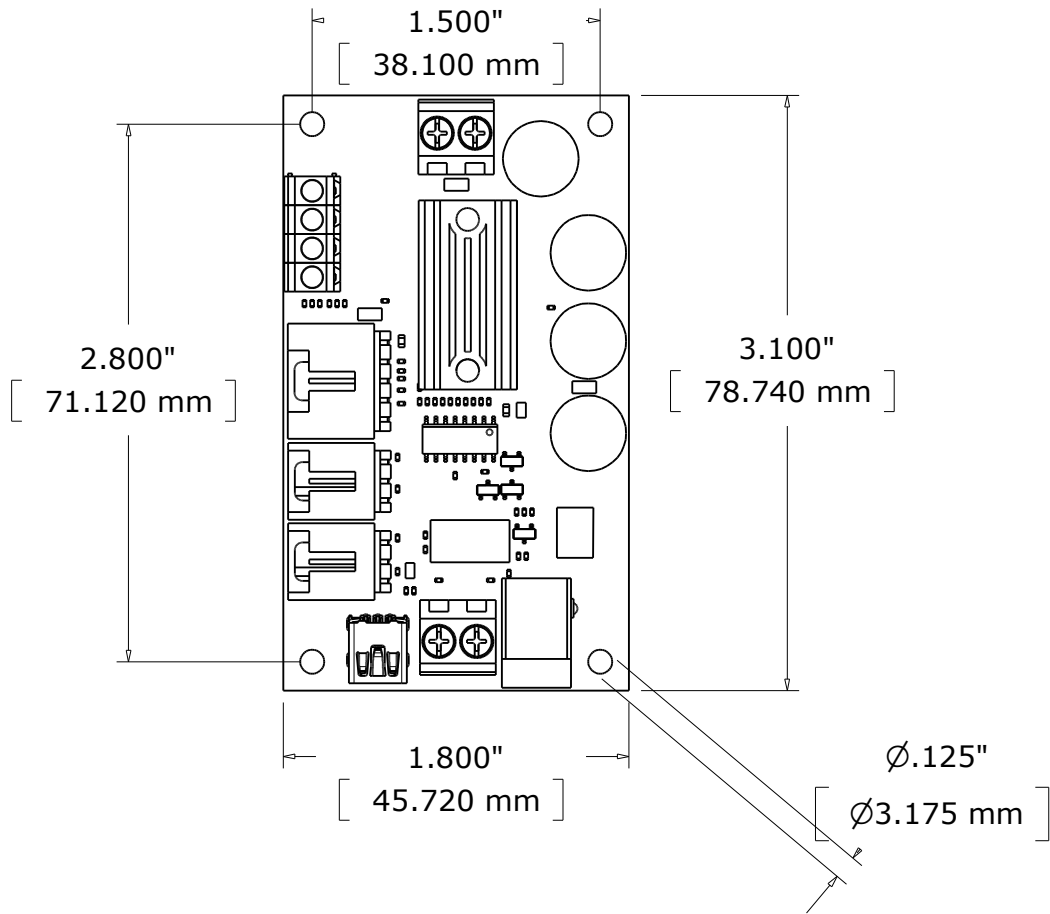


1065_1B Mechanical Drawing



.570"
[14.478 mm]

.142"
[3.600 mm]

