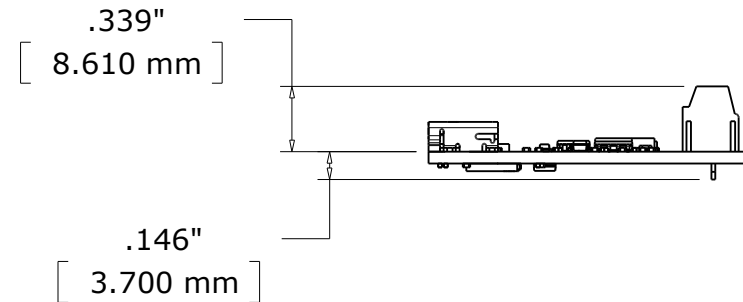
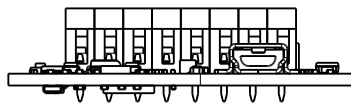
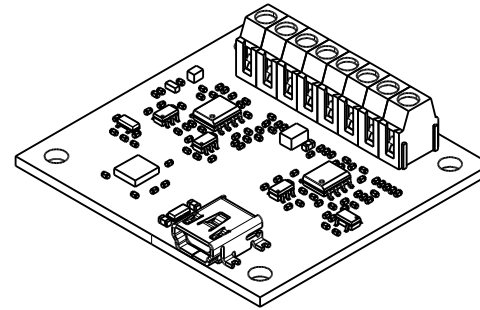
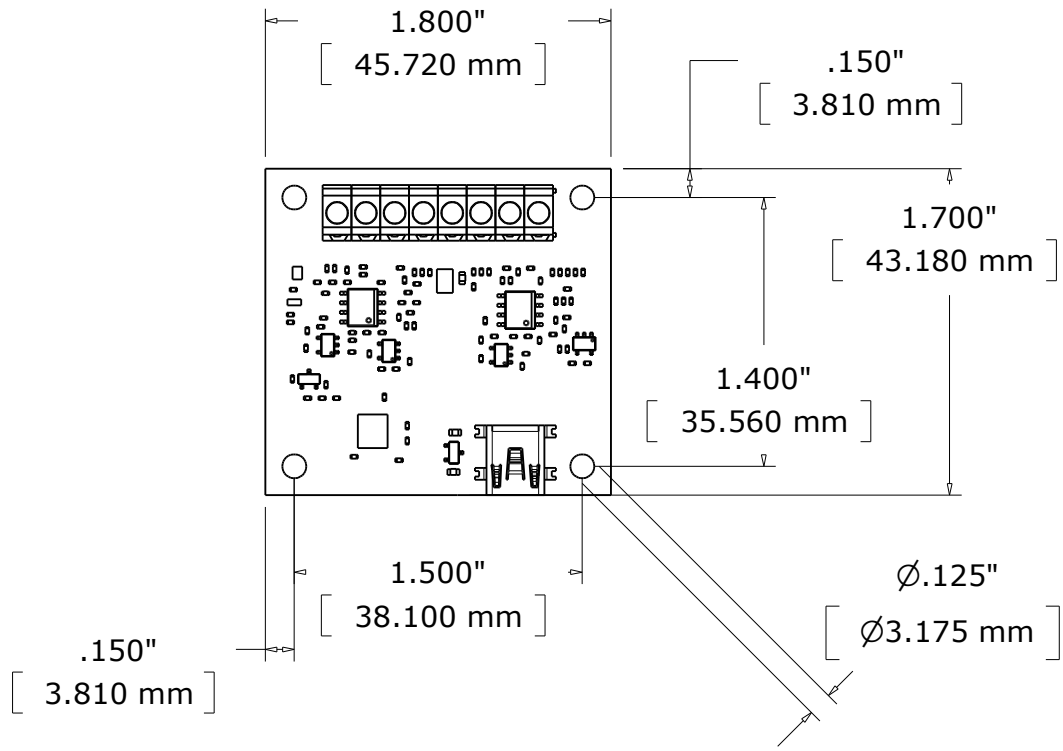


# 1048\_1B Mechanical Drawing



# 1048\_1B Enclosure Mechanical Drawing

