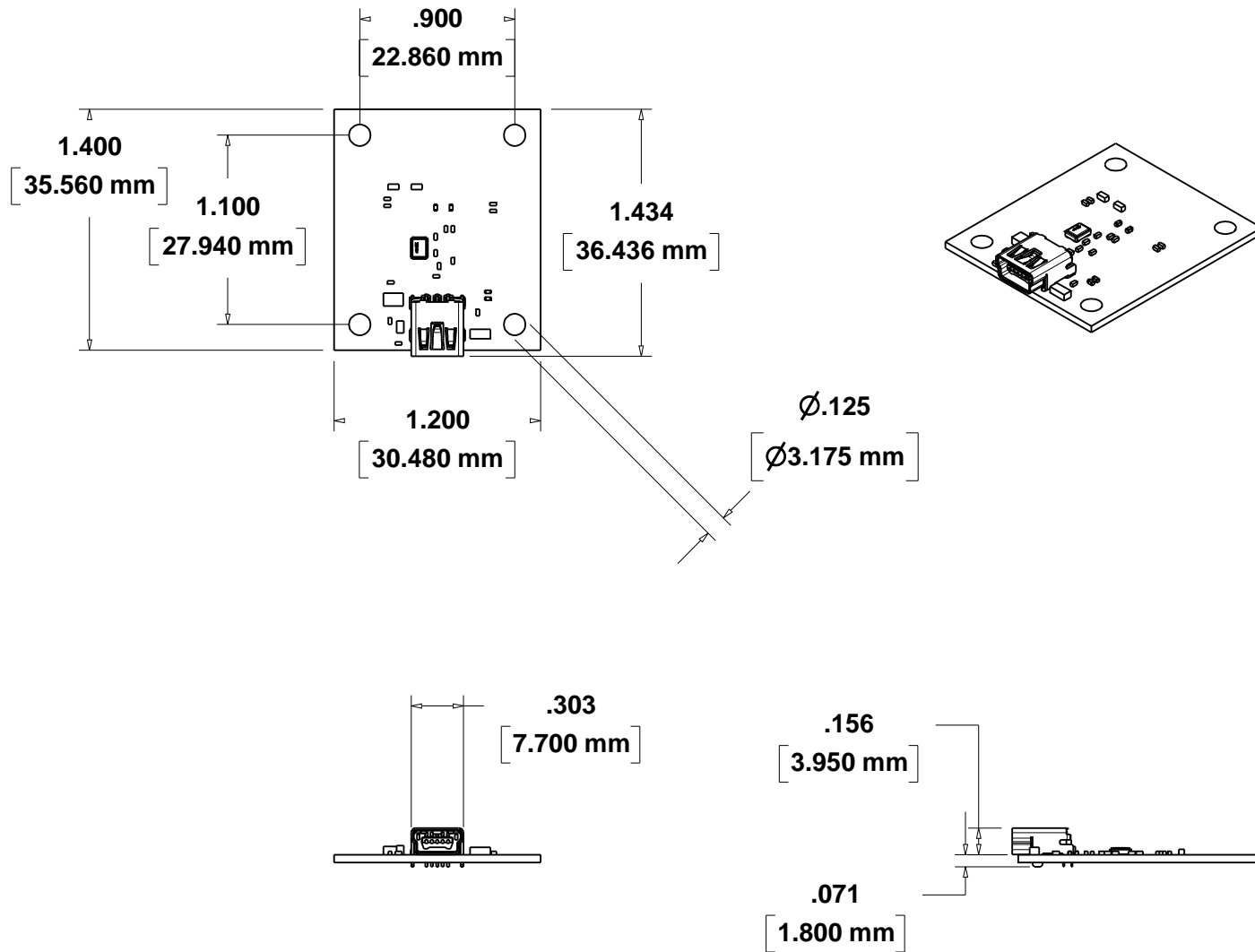


1043_1B Mechanical Drawing



1043_1B Enclosure Mechanical Drawing

