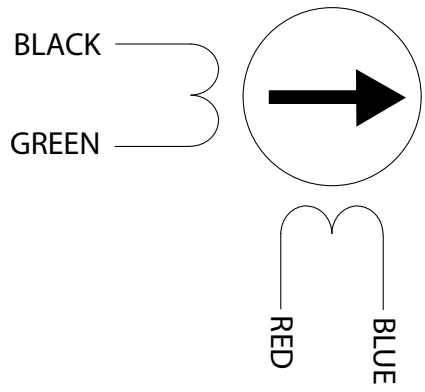
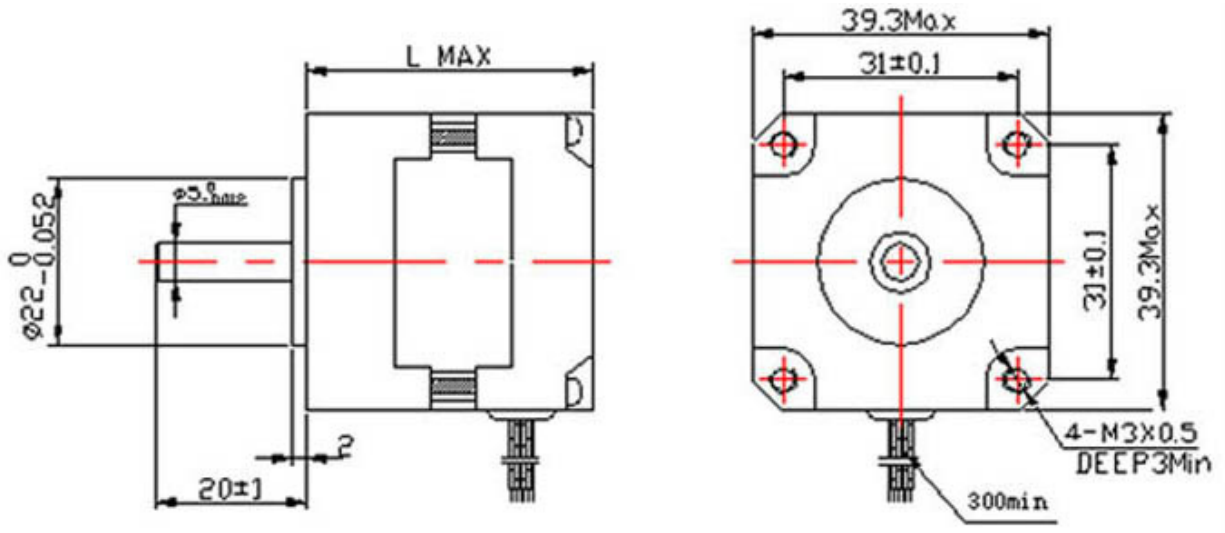


General Specifications	
Item	Specification
Step Accuracy	5%
Temperature Rise	80°C Max
Ambient Temperature	-20°C~+50°C
Insulation Resistance	100MΩ Min., 500VDC
Dielectric Strength	500 VAC for one minute



Electrical Specifications											
Model No.	Step Angle	Motor Length	Rated Voltage	Rated Current	Phase Resistance	Phase Inductance	Holding Torque	# of Leads	Rotor Inertia	Detent Torque	Weight
	°	mm	V	A	Ω	mH	g-cm		g-cm ²	g-cm	kg
39BYG013	1.8	20	6.5	0.4	6.8	6.5	550	4	11	50	0.12

Mechanical Dimensions



OR

