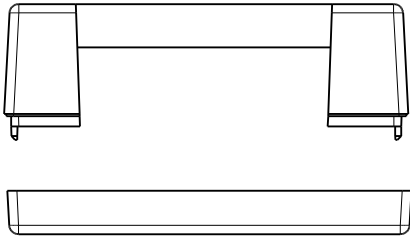
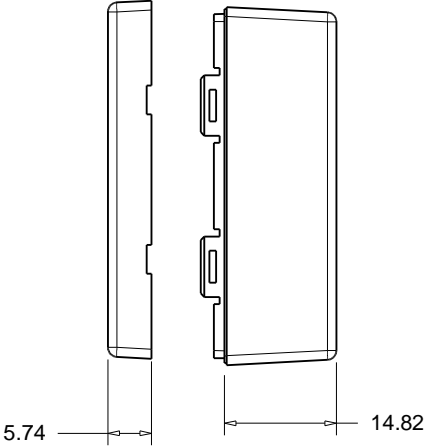
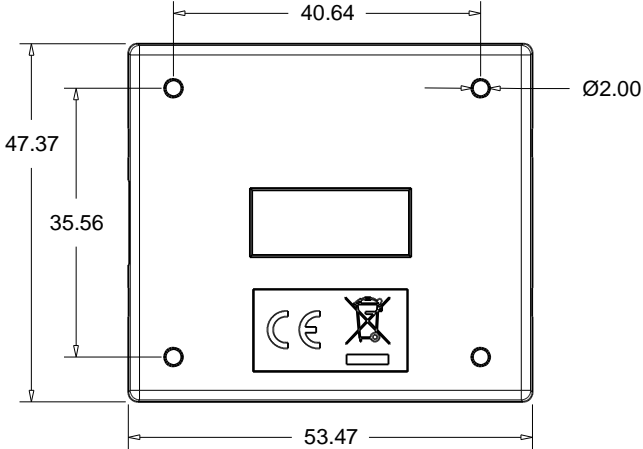


# 3854\_0 Mechanical Drawing



Dimensions are in mm