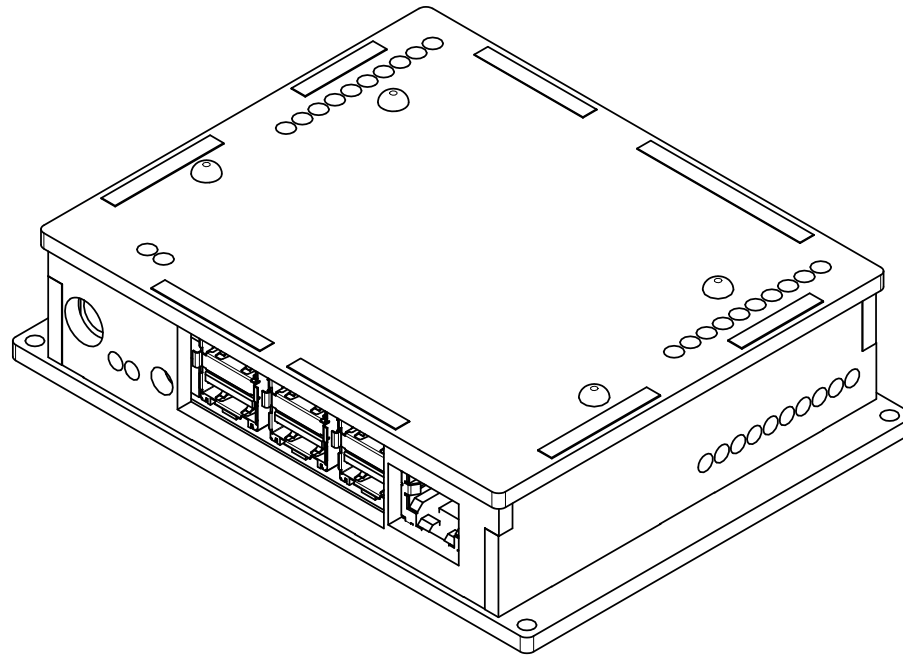
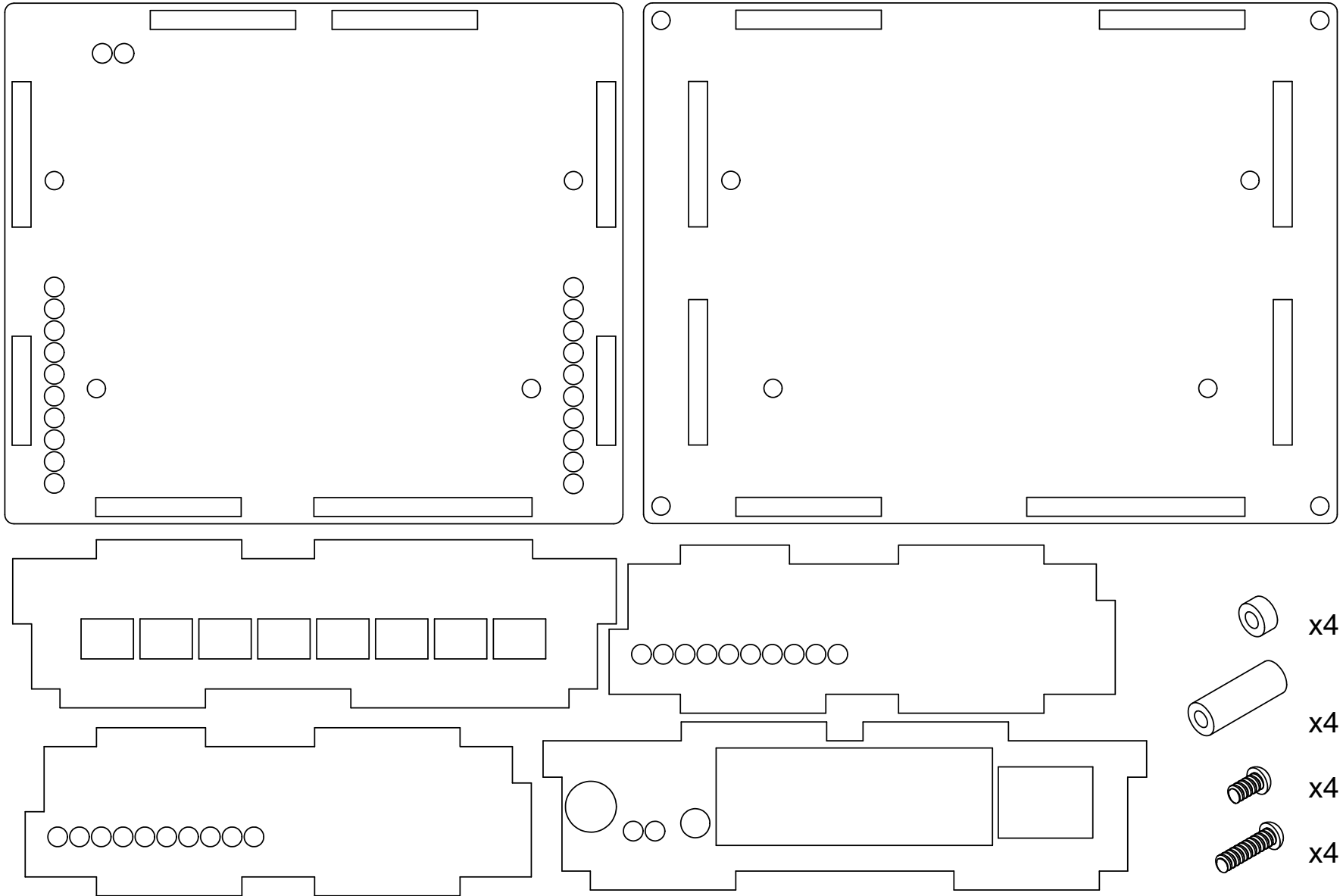


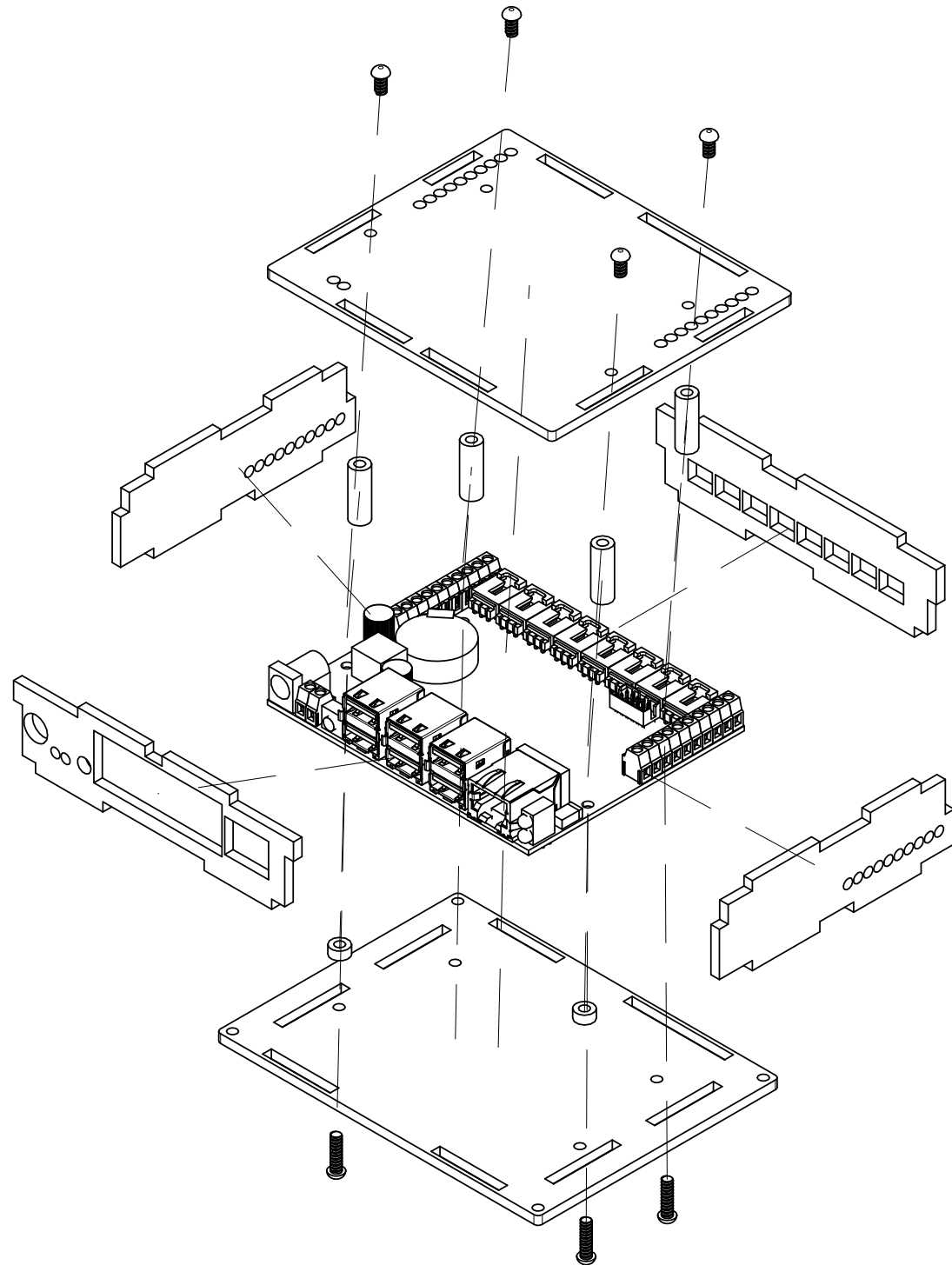
Phidget Enclosure Assembly Instructions

PN 3817 : Acrylic Enclosure for the 1072 PhidgetSBC2



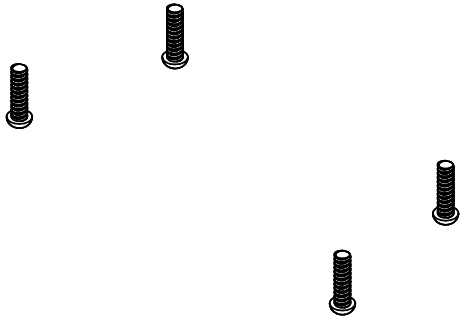
Contents of Enclosure Kit



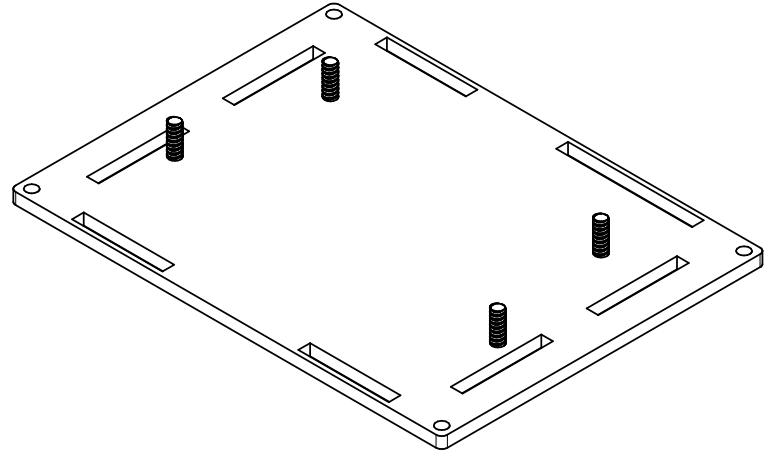


Assembly Instructions

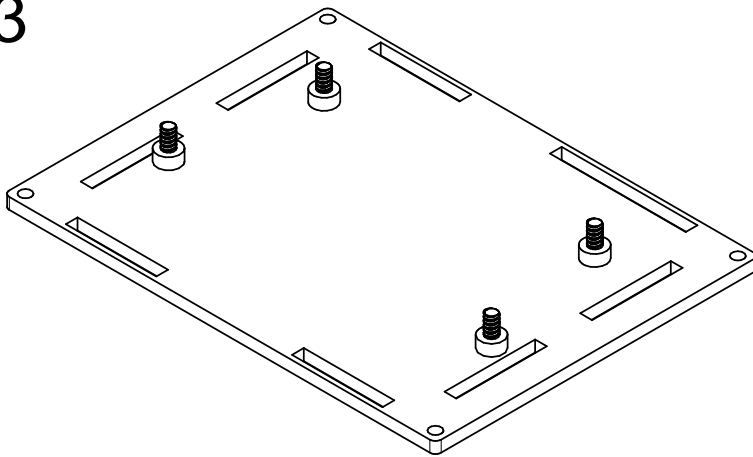
1



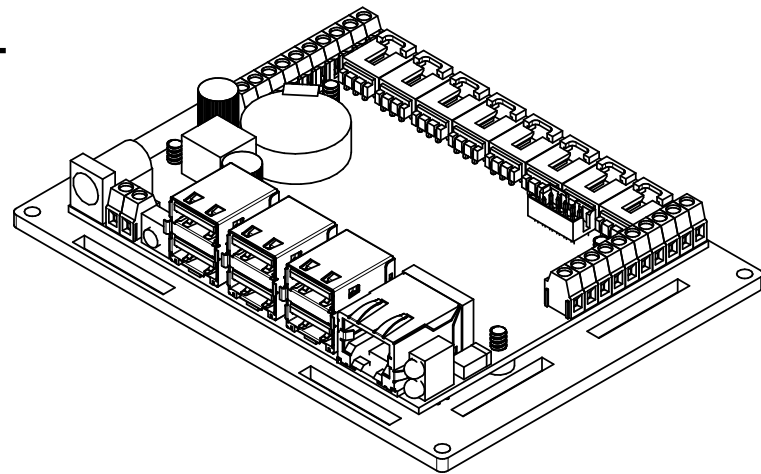
2



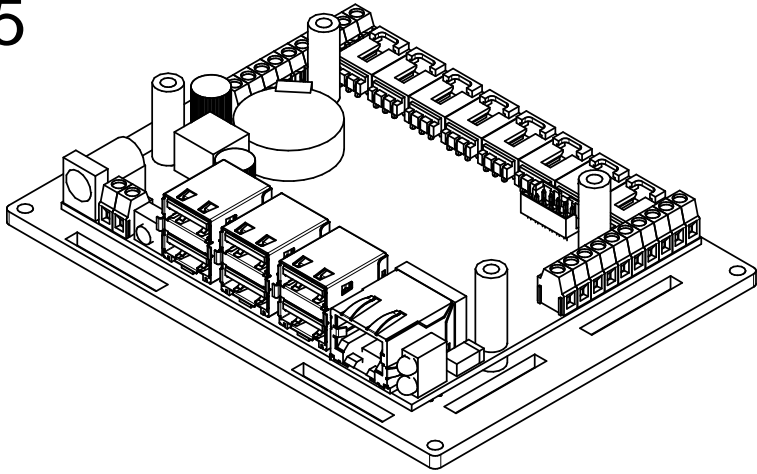
3



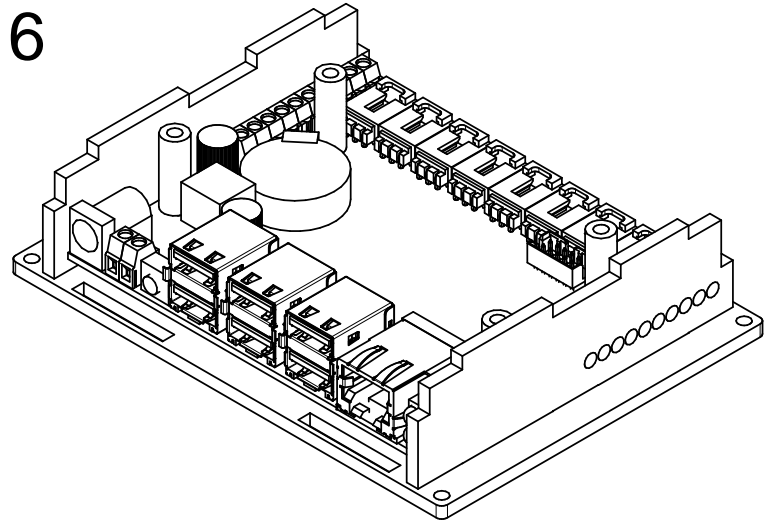
4



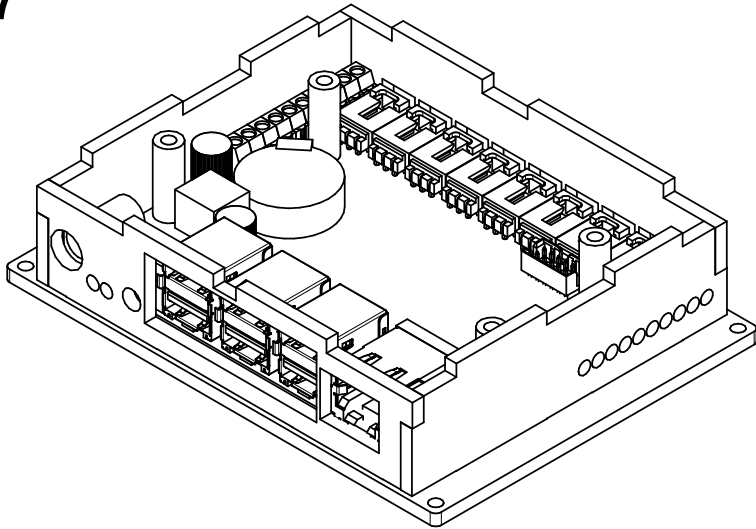
5



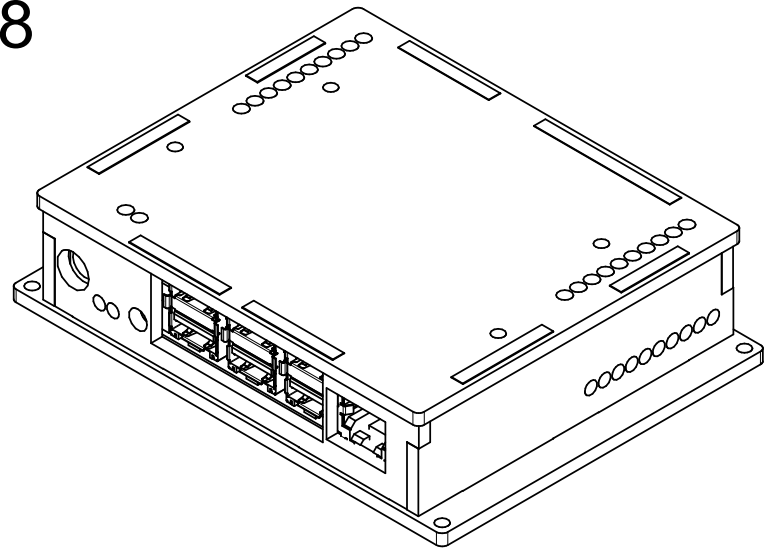
6



7



8



9

