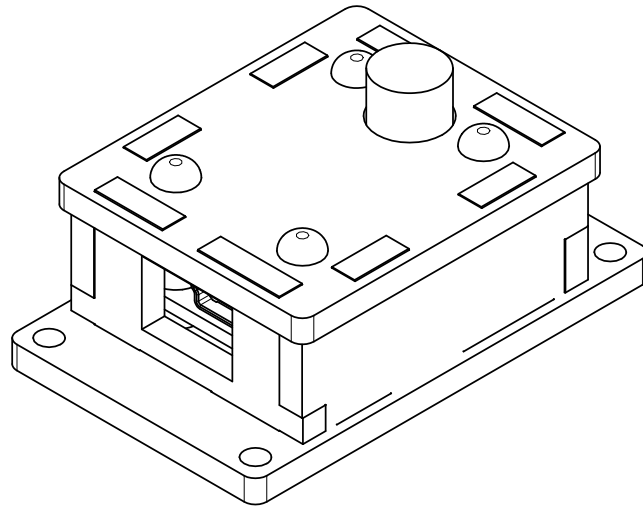
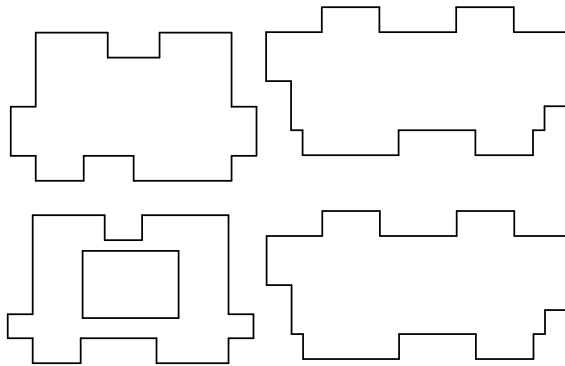
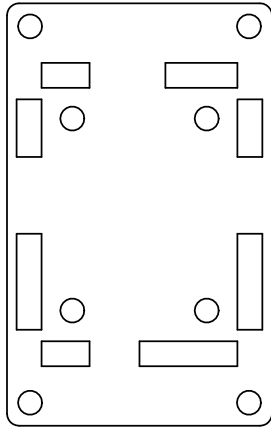
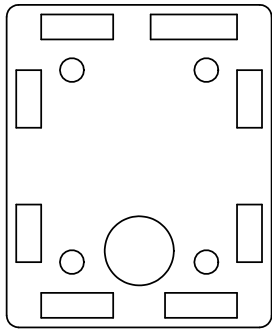


# Phidget Enclosure Assembly Instructions

PN 3807 : Acrylic Enclosure for 1045 PhidgetTemperatureSensor IR



# Contents of Enclosure Kit



x4



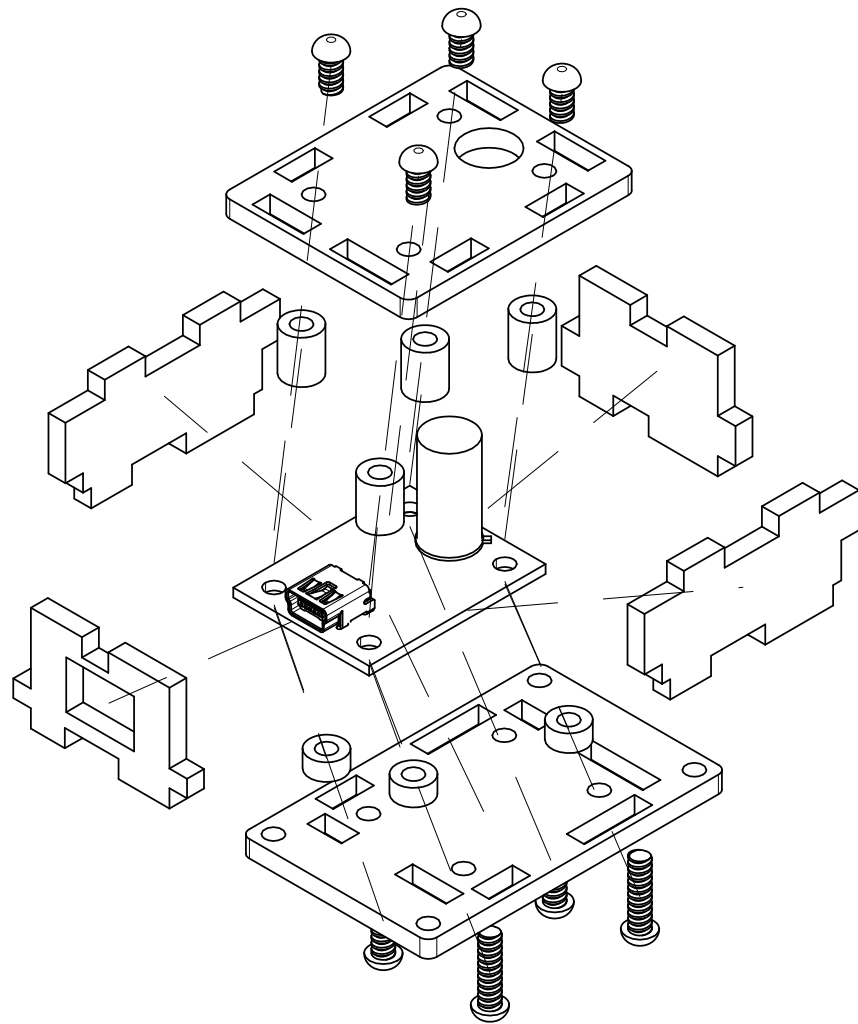
x4



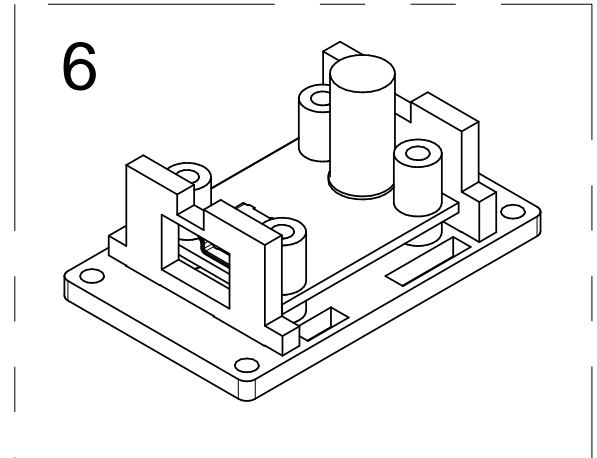
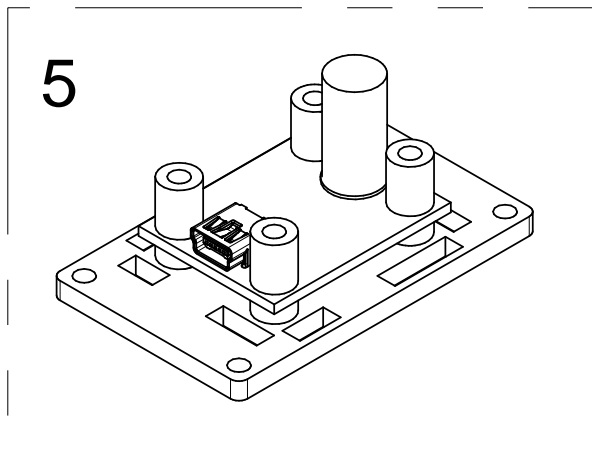
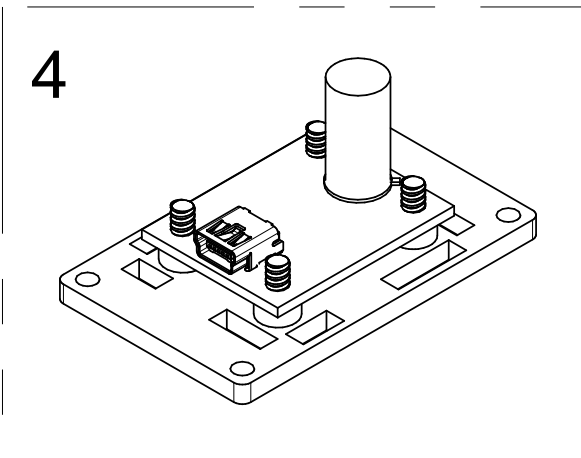
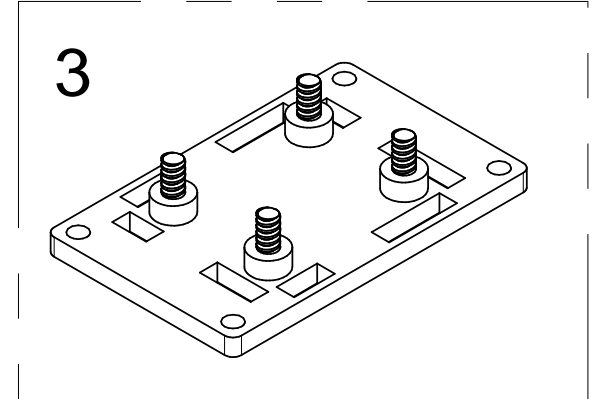
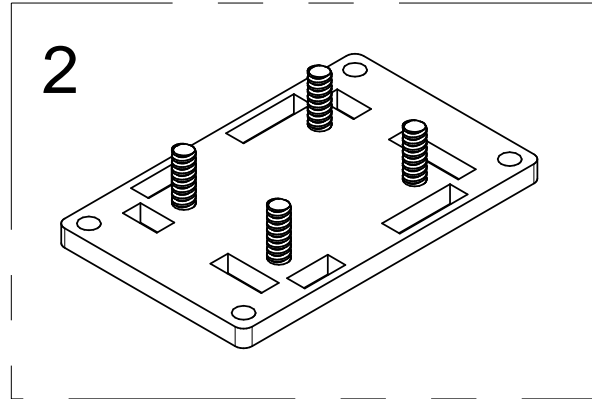
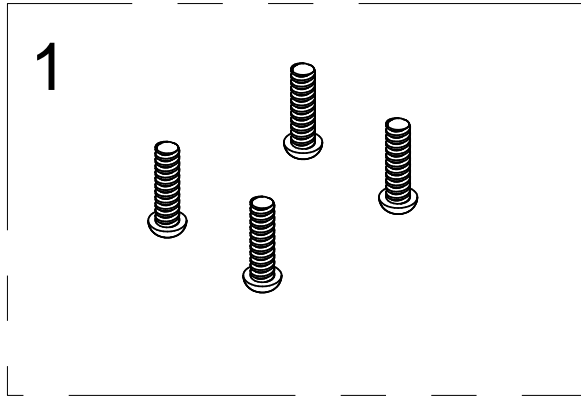
x4



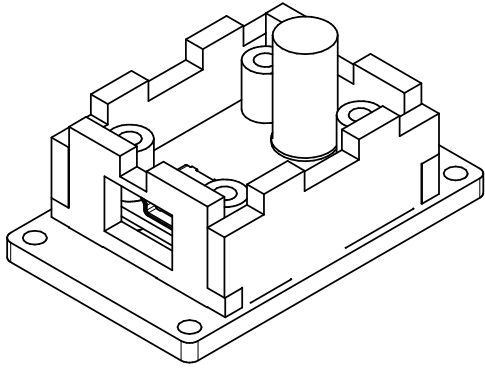
x4



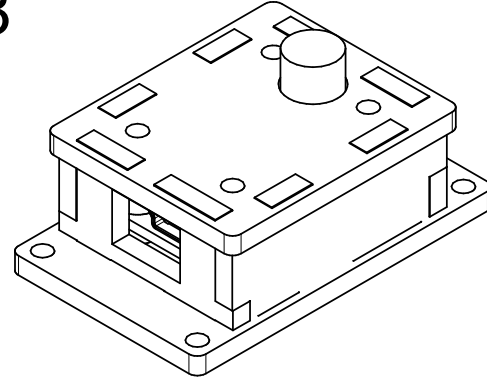
# Assembly Instructions



7



8



9

