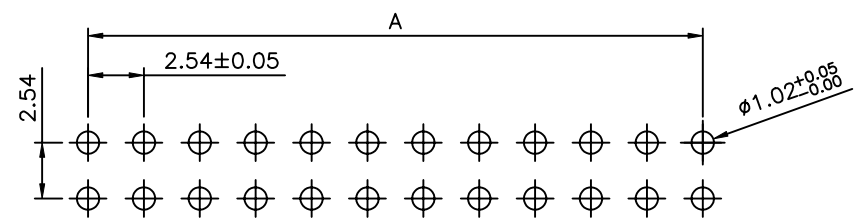
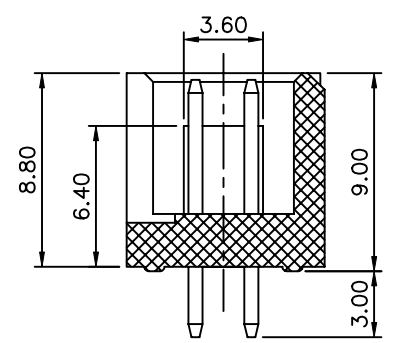
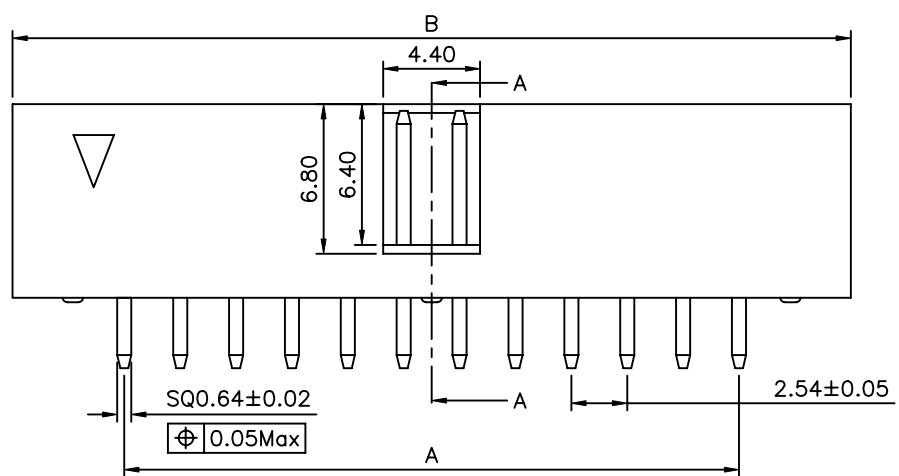
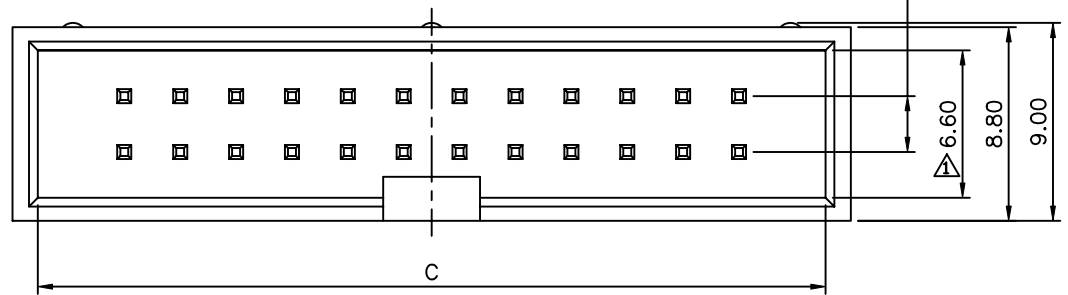


**SPECIFICATION**

Current Rating: 3Amp  
 Insulator Resistance: 1000 Megohms Min.  
 Contact Resistance: 20 Milliohms Max.  
 Dielectric Withstanding: AC 500V  
 Operating Temp.: -40°C~+105°C  
 Max Processing Temp.: 230°C For 30~60 Seconds  
 Contact Material: Copper Alloy  
 Insulator Material: PBT+30%G.F UL94V-0  
 Plated(\*Standard): Gold Flash All Over  
 RoHS Compliant



Recommended P.C.B Layout



Section A-A

Pin	A	B	C
6	5.08	15.24	12.94
8	7.62	17.78	15.47
10	10.16	20.32	18.01
12	12.70	22.86	20.56
14	15.24	25.40	23.10
16	17.78	27.94	25.64
18	20.32	30.48	28.18
20	22.86	33.02	30.72
24	27.94	38.10	35.80
26	30.48	40.64	38.34
30	35.56	45.72	43.42
34	40.64	50.80	48.50
40	48.26	58.42	56.12
44	53.34	63.50	61.20
50	60.96	71.12	68.80
60	73.66	83.82	81.50
64	78.74	88.91	86.60

**4UCON** 元化興業股份有限公司  
 4UCON TECHNOLOGY INC.

DRAWING No.		APPROVED BY		UNLESS OTHERWISE SPECIFIED TOLERANCES ARE					
19266		MEI				X. ±0.50 X.' ±5.00°			
		CHECKED BY		.X ±0.38 .X' ±2.00°					
		HZZ		.XX ±0.25 .XX' ±1.00°					
		DRAWING BY		.XXX ±0.15 .XXX' ±0.50°					
		HYY		UNIT					
SCALE		NONE		REV.		A1		NO. REV.	
								A1 Modify Dim.	
								A0 NEW RELEASE	
								HZZ 11/29/2008	
								SHIN 06/20/2006	
								CHK DATE	