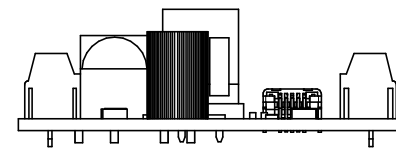
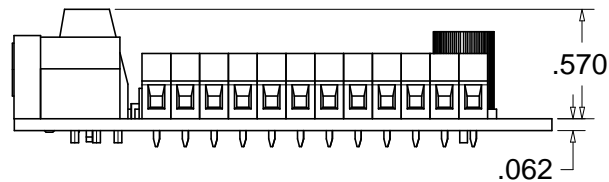
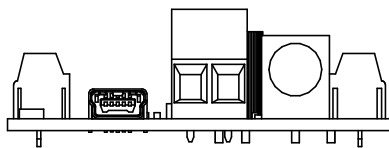
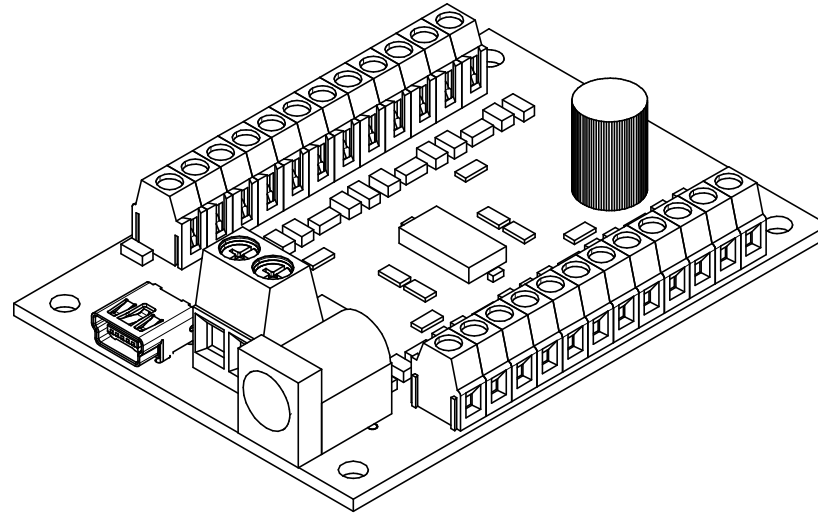
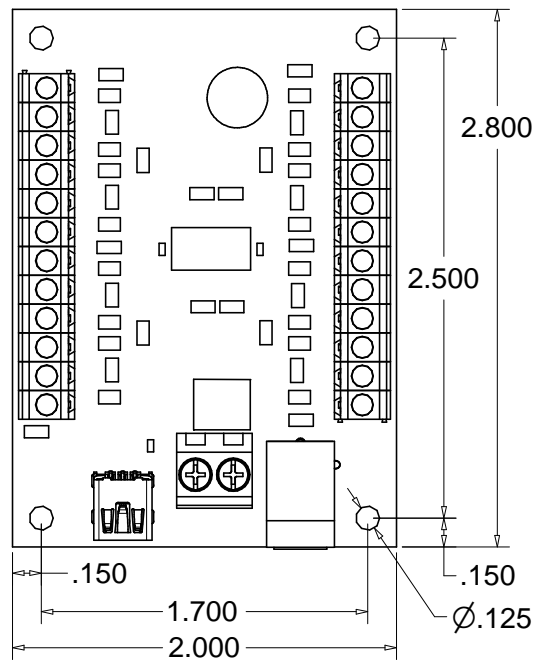


# 1062\_1 Mechanical Drawing



Scale 1:1  
Units are in Inches